

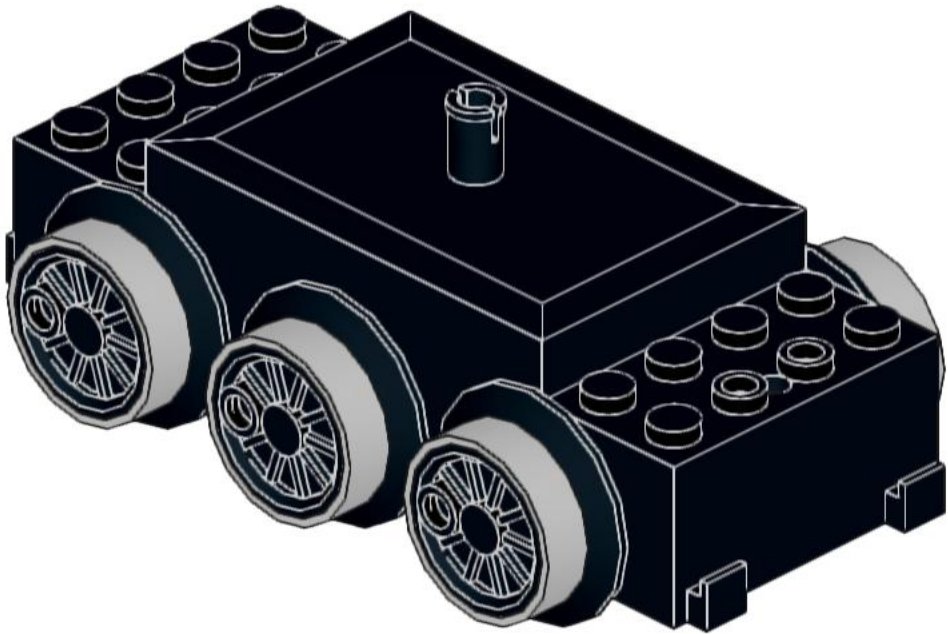
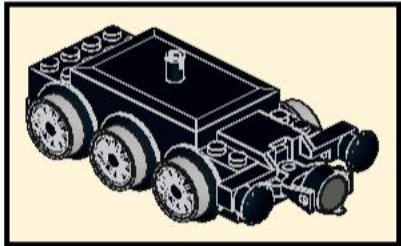
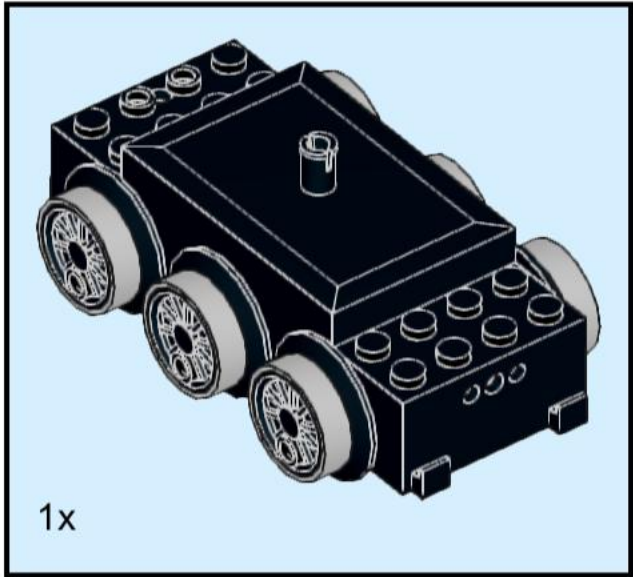
Grey Era 727

Fouke Boss (2023)

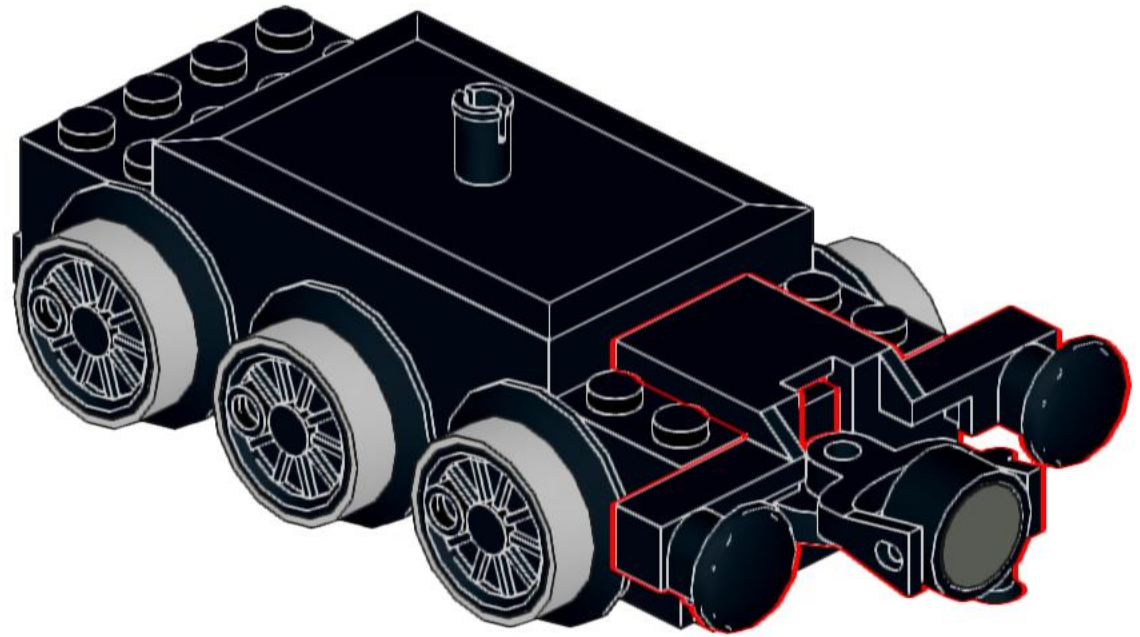
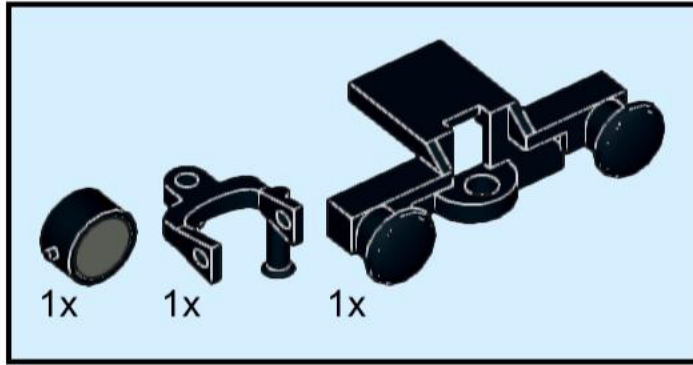
LEGO



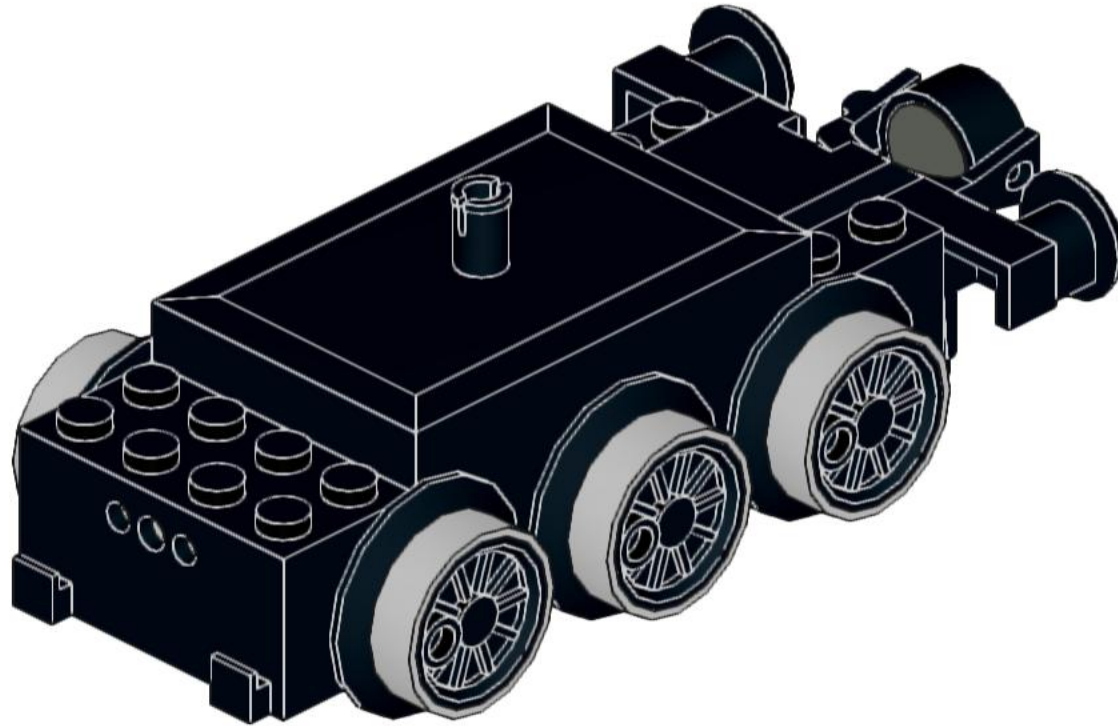
1



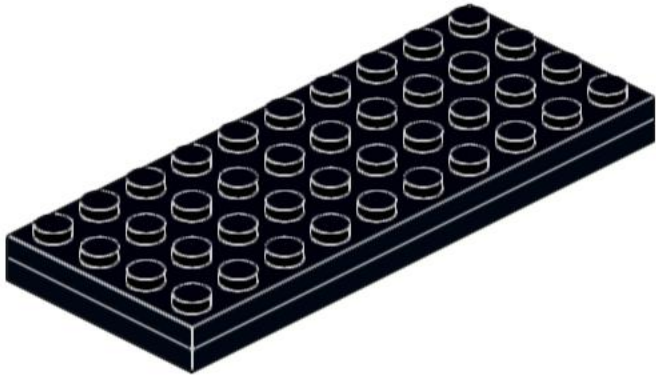
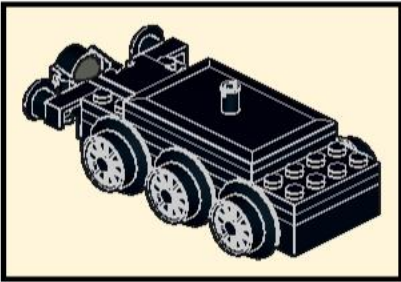
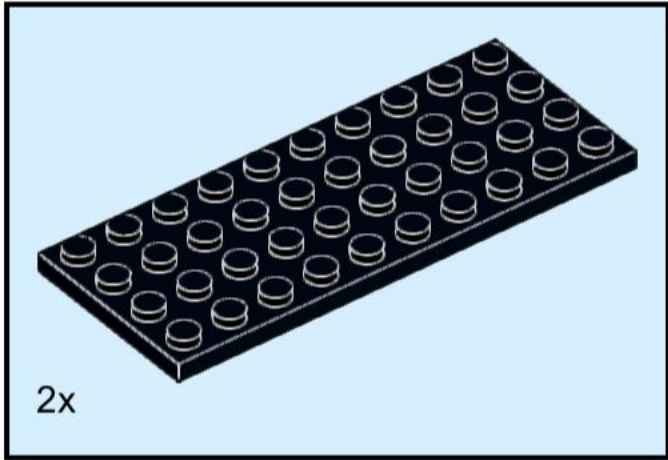
2



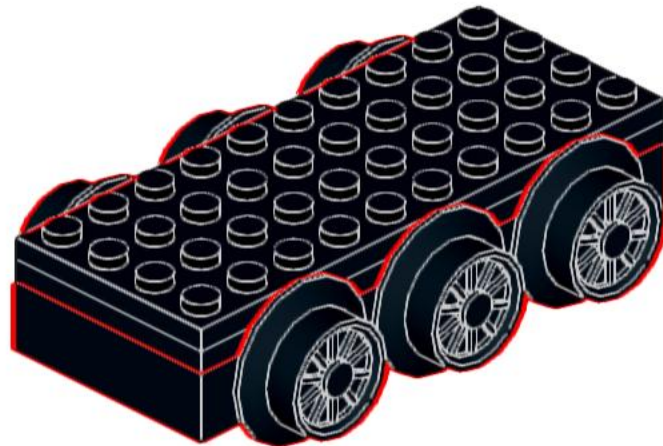
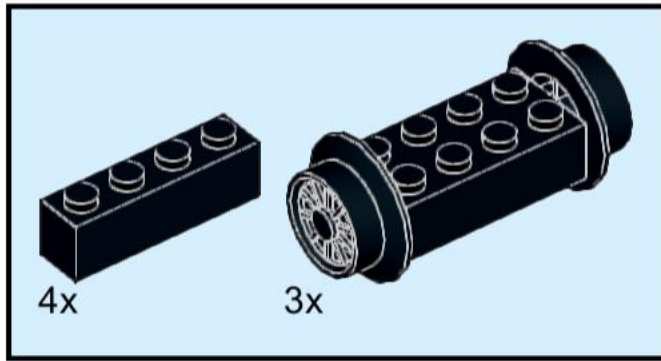
3



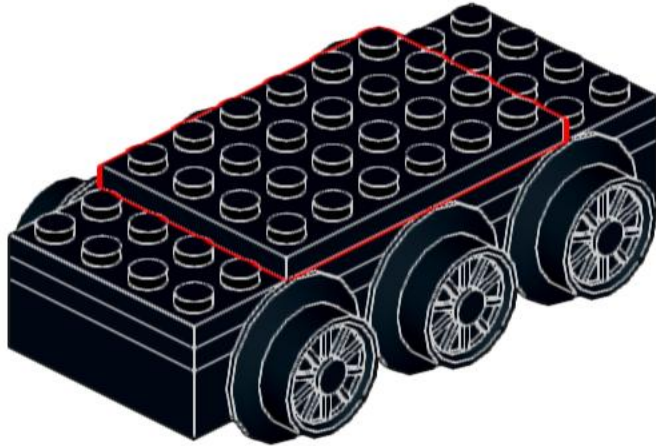
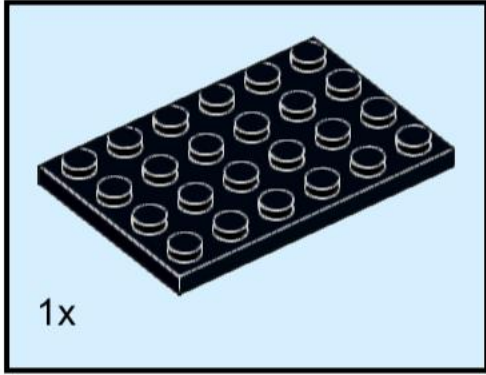
4



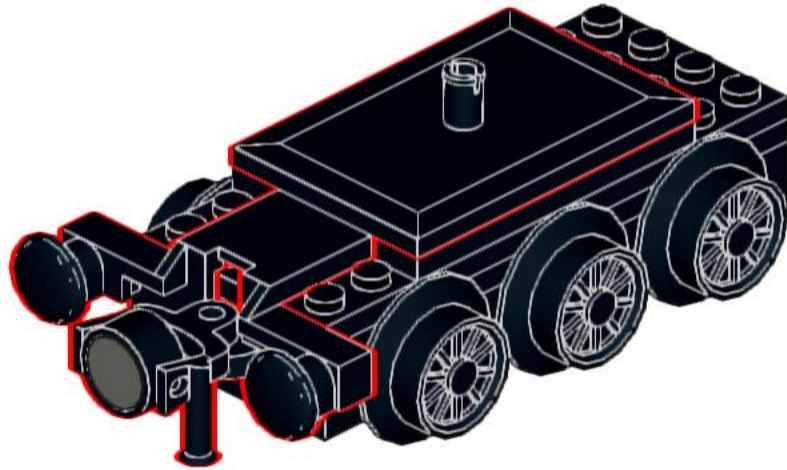
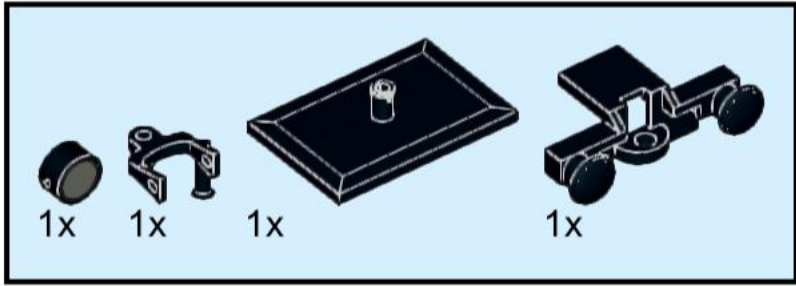
5



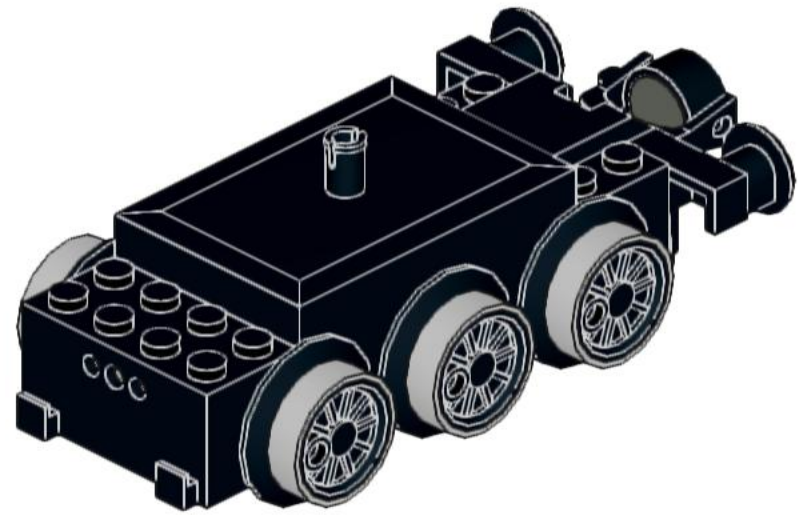
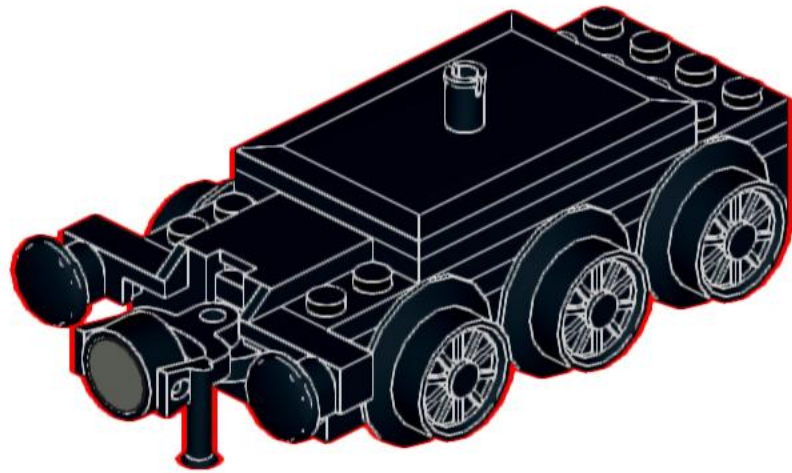
6



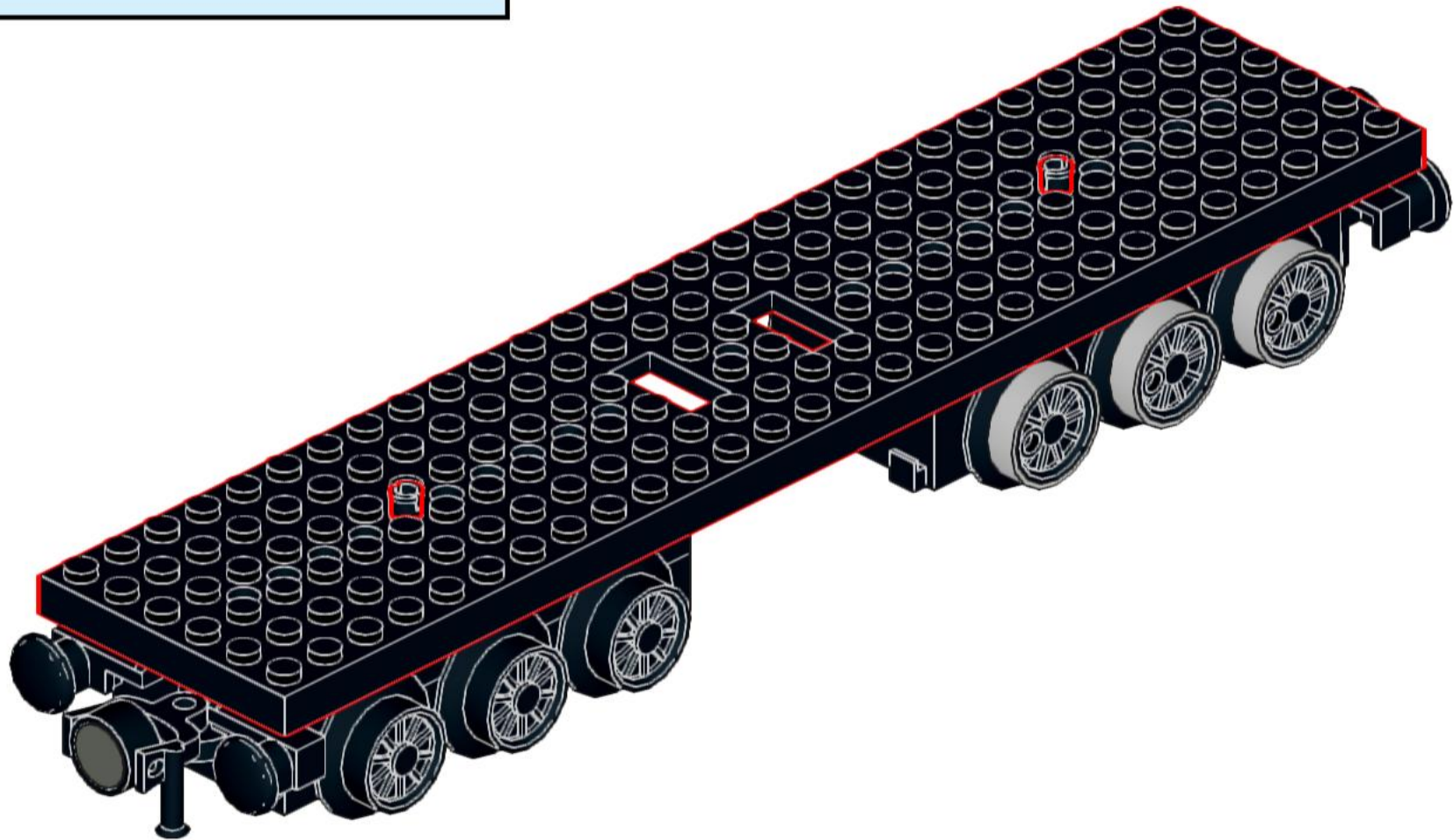
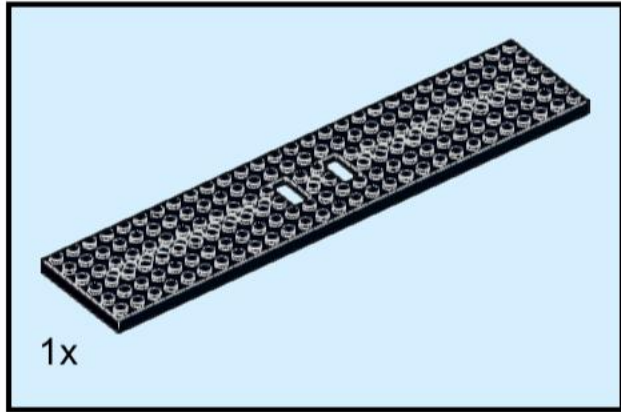
7



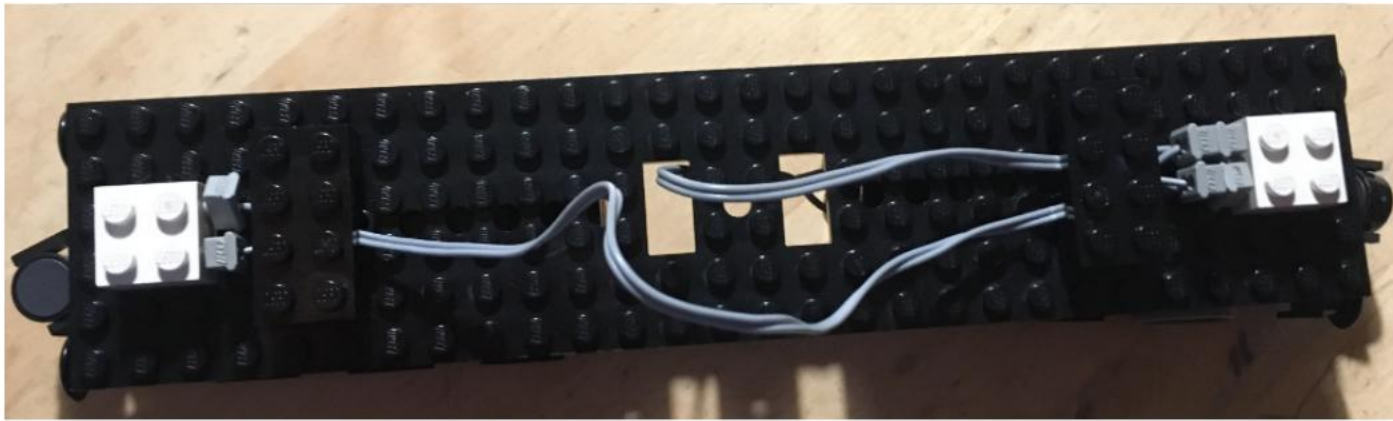
8



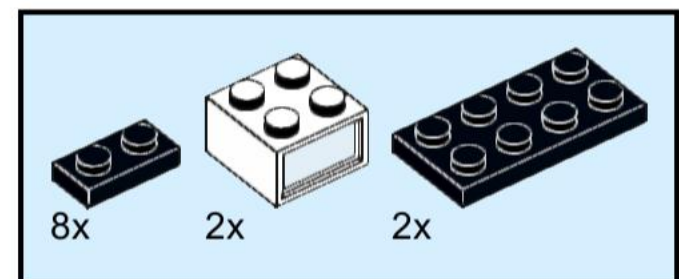
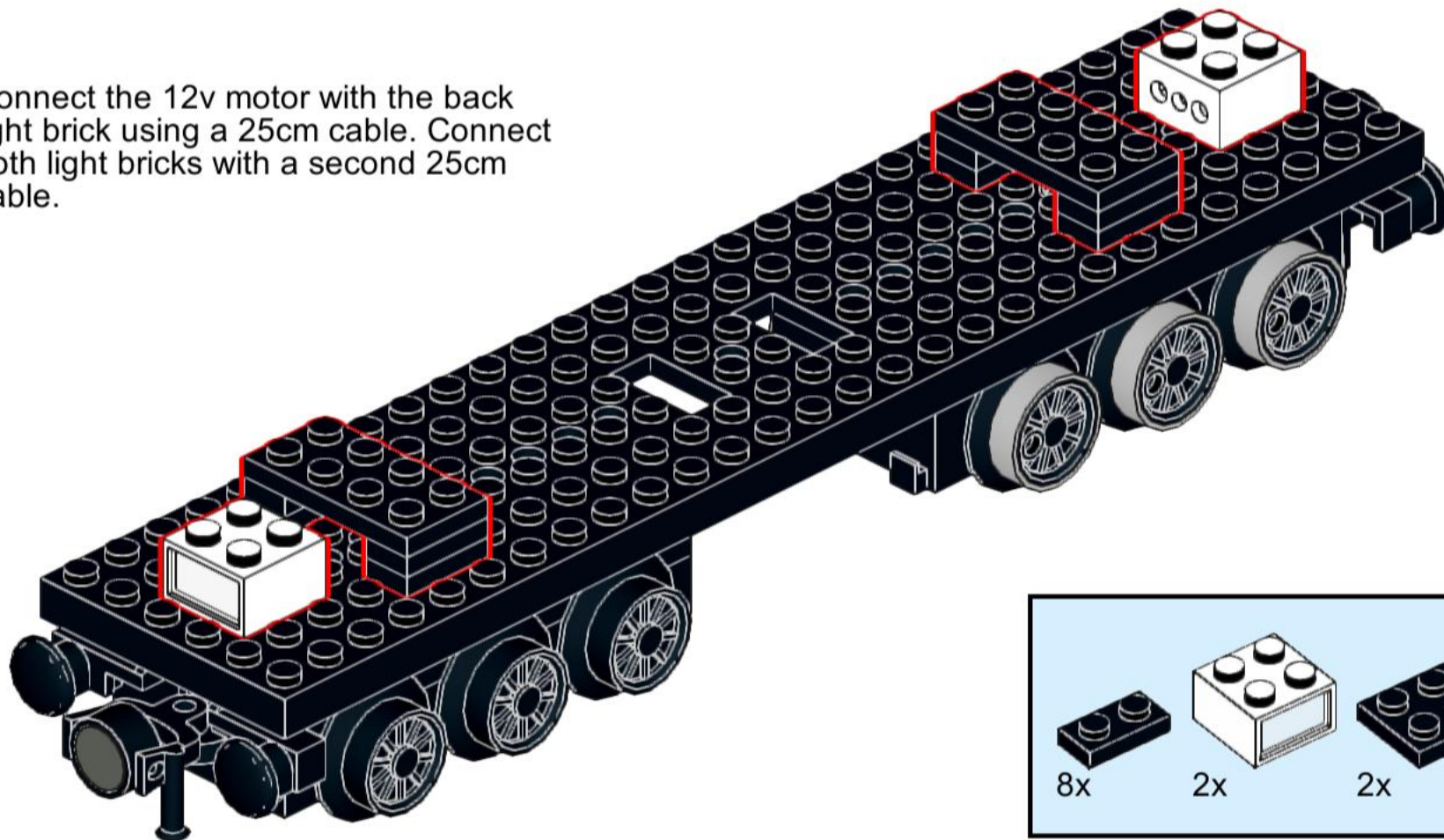
9



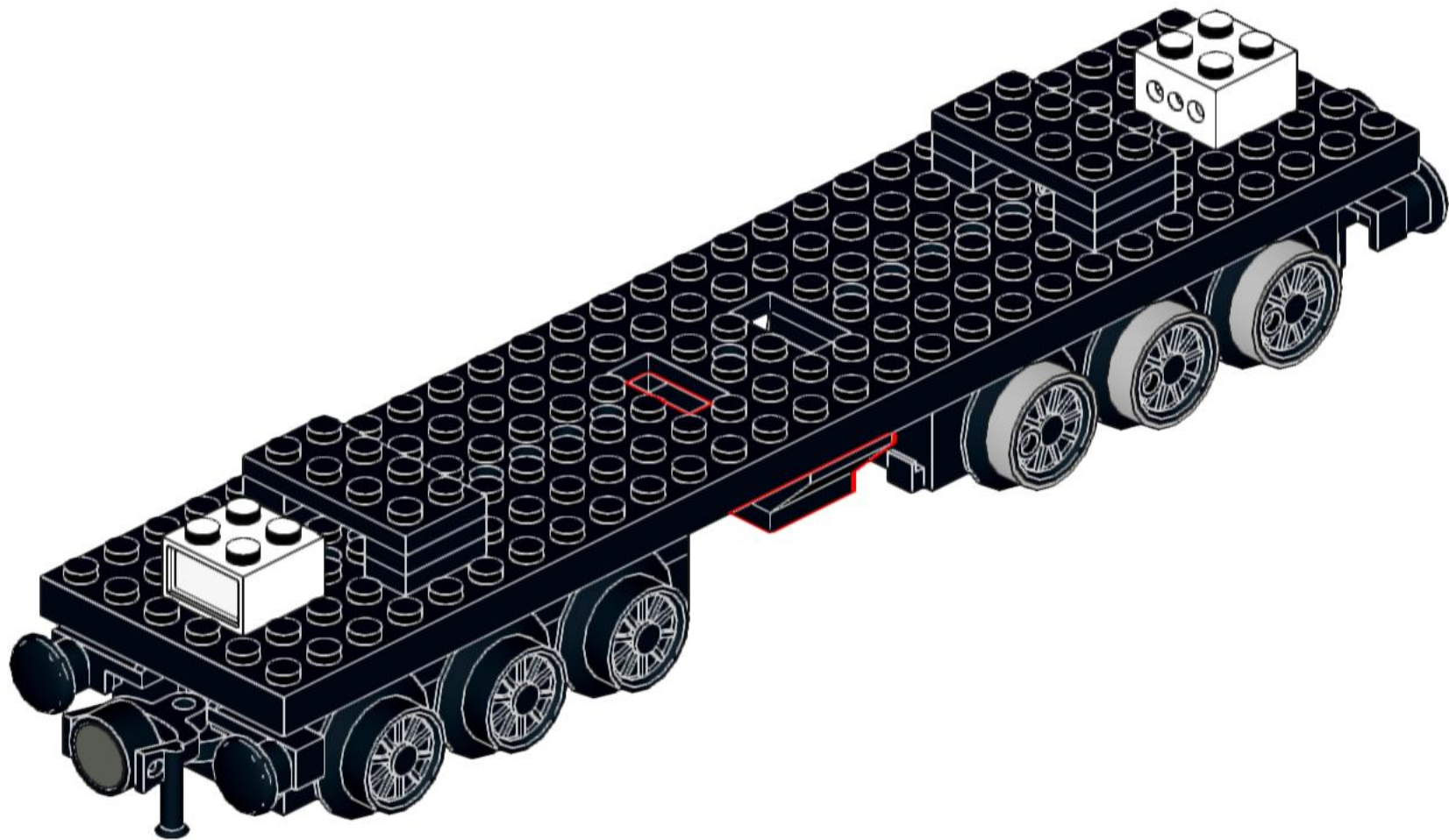
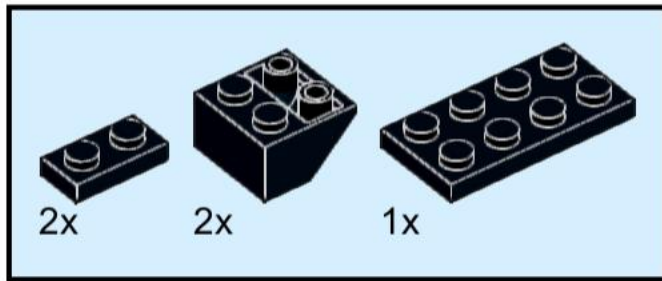
10



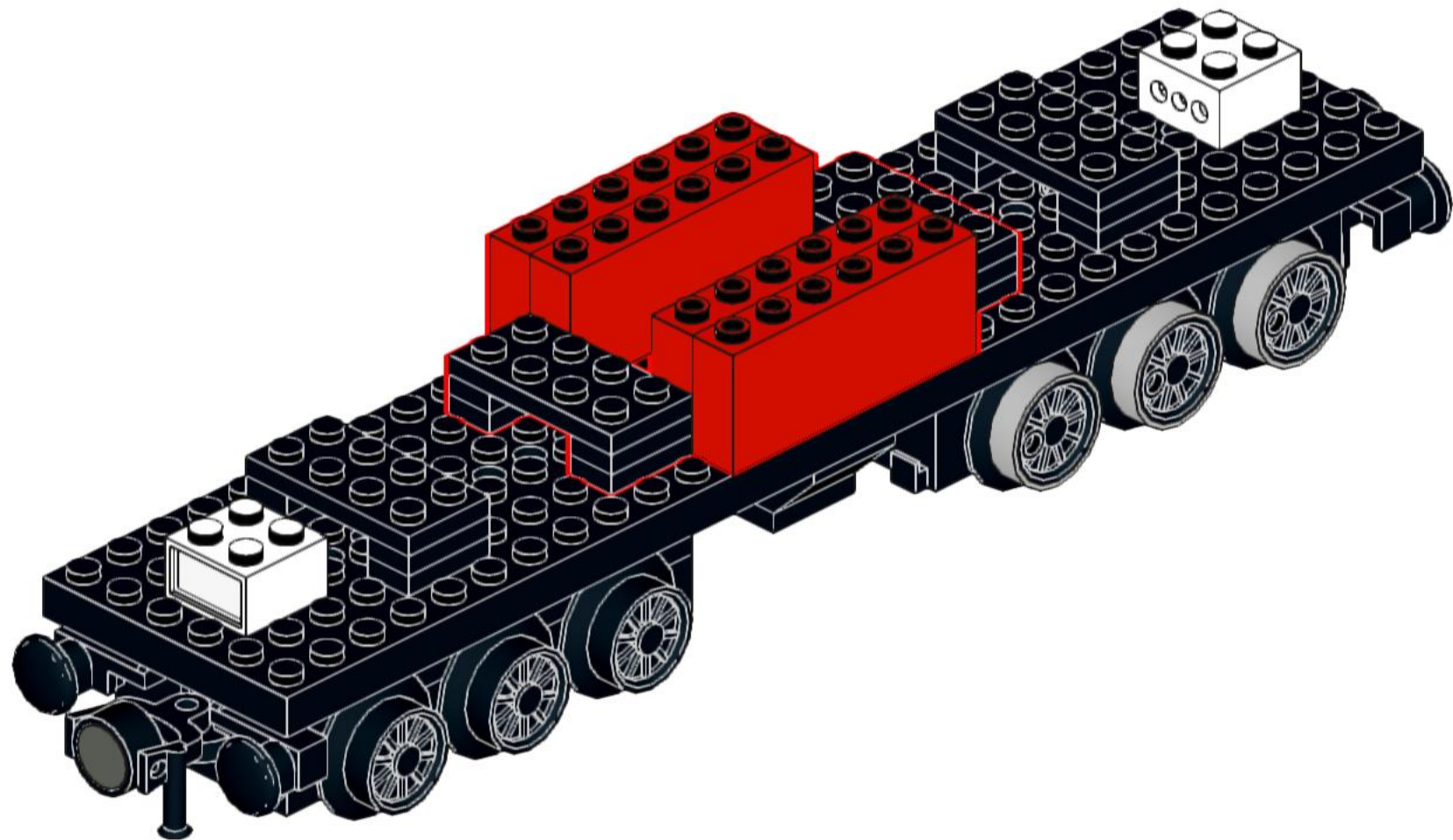
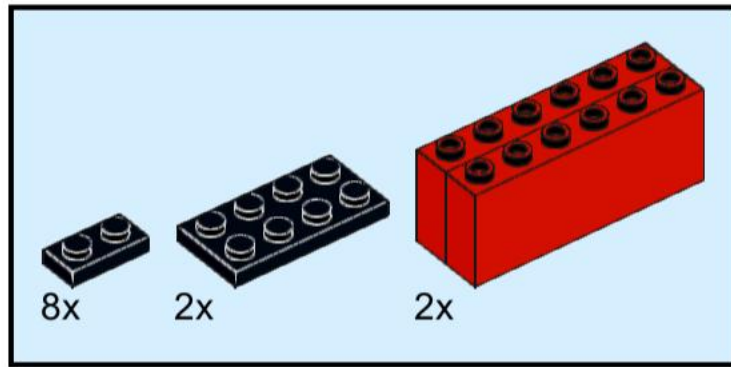
Connect the 12v motor with the back light brick using a 25cm cable. Connect both light bricks with a second 25cm cable.



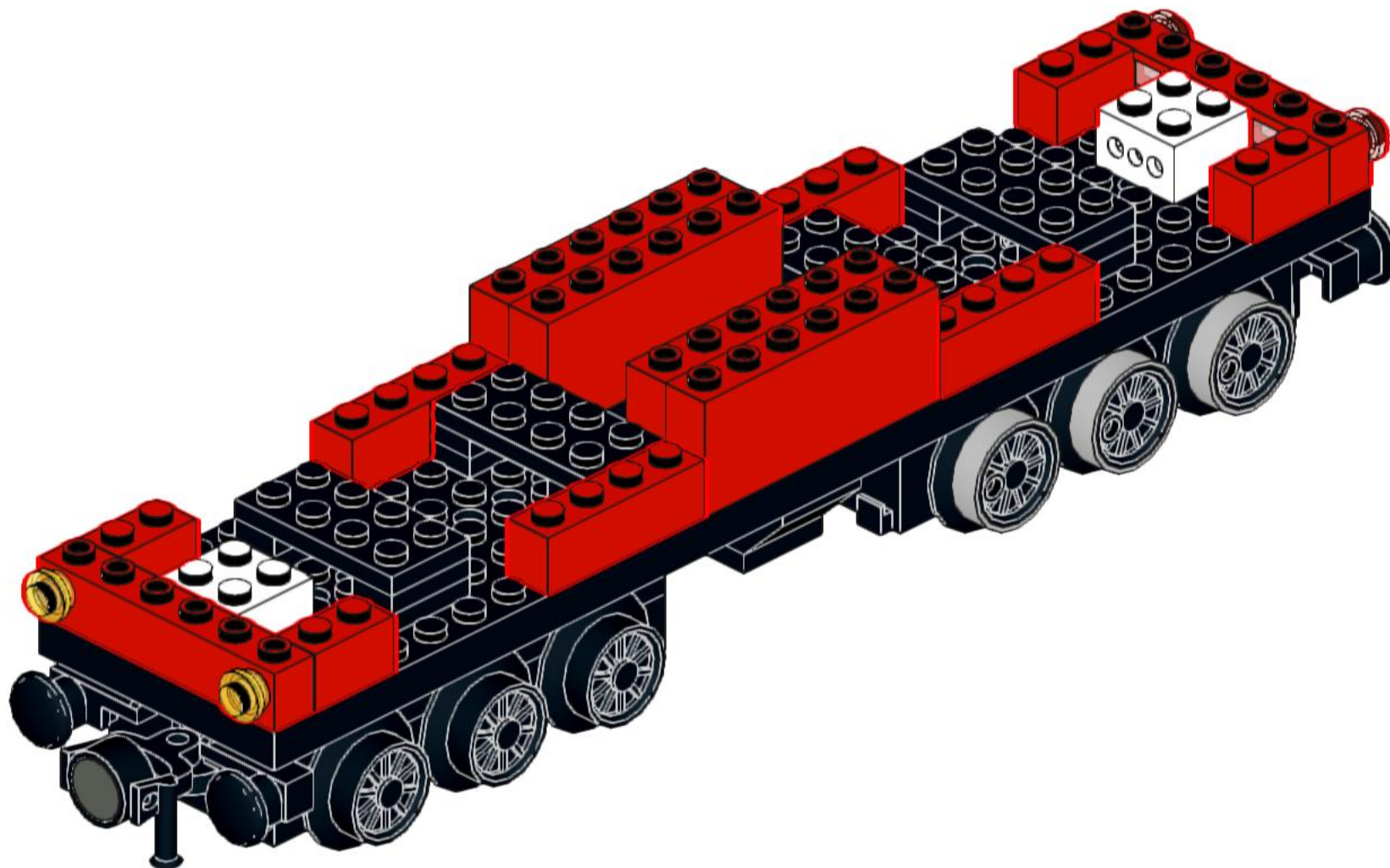
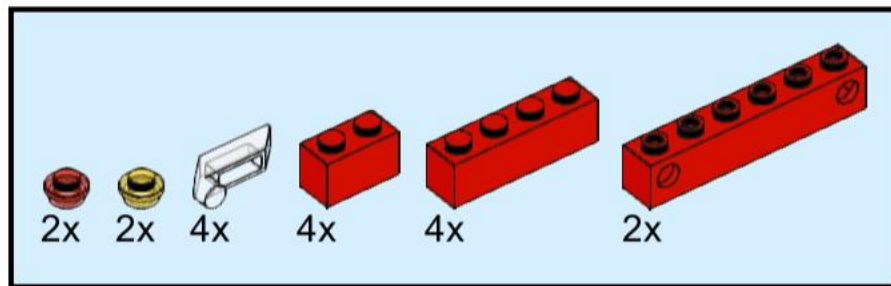
11



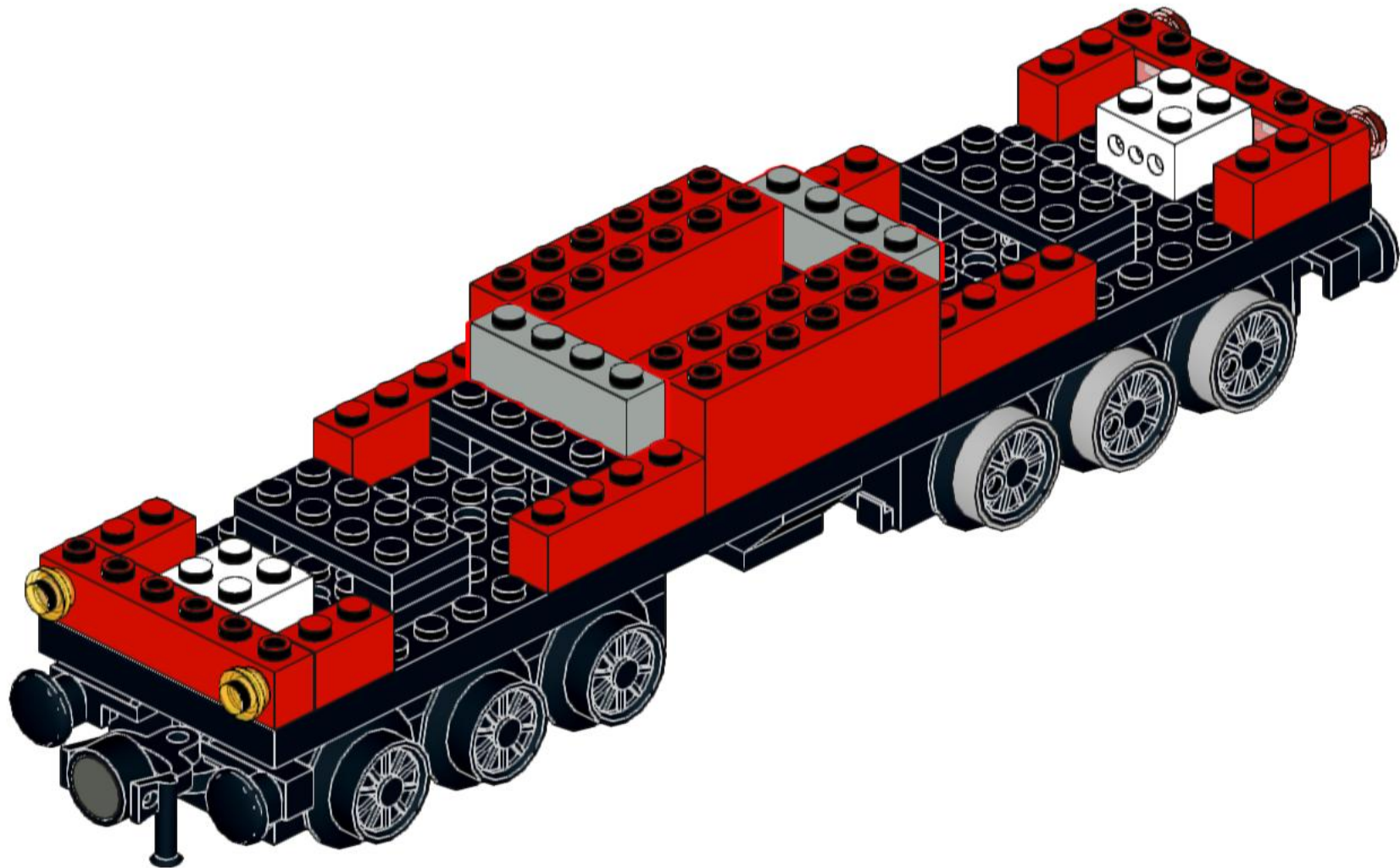
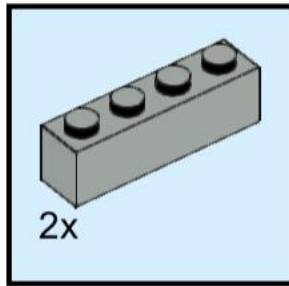
12



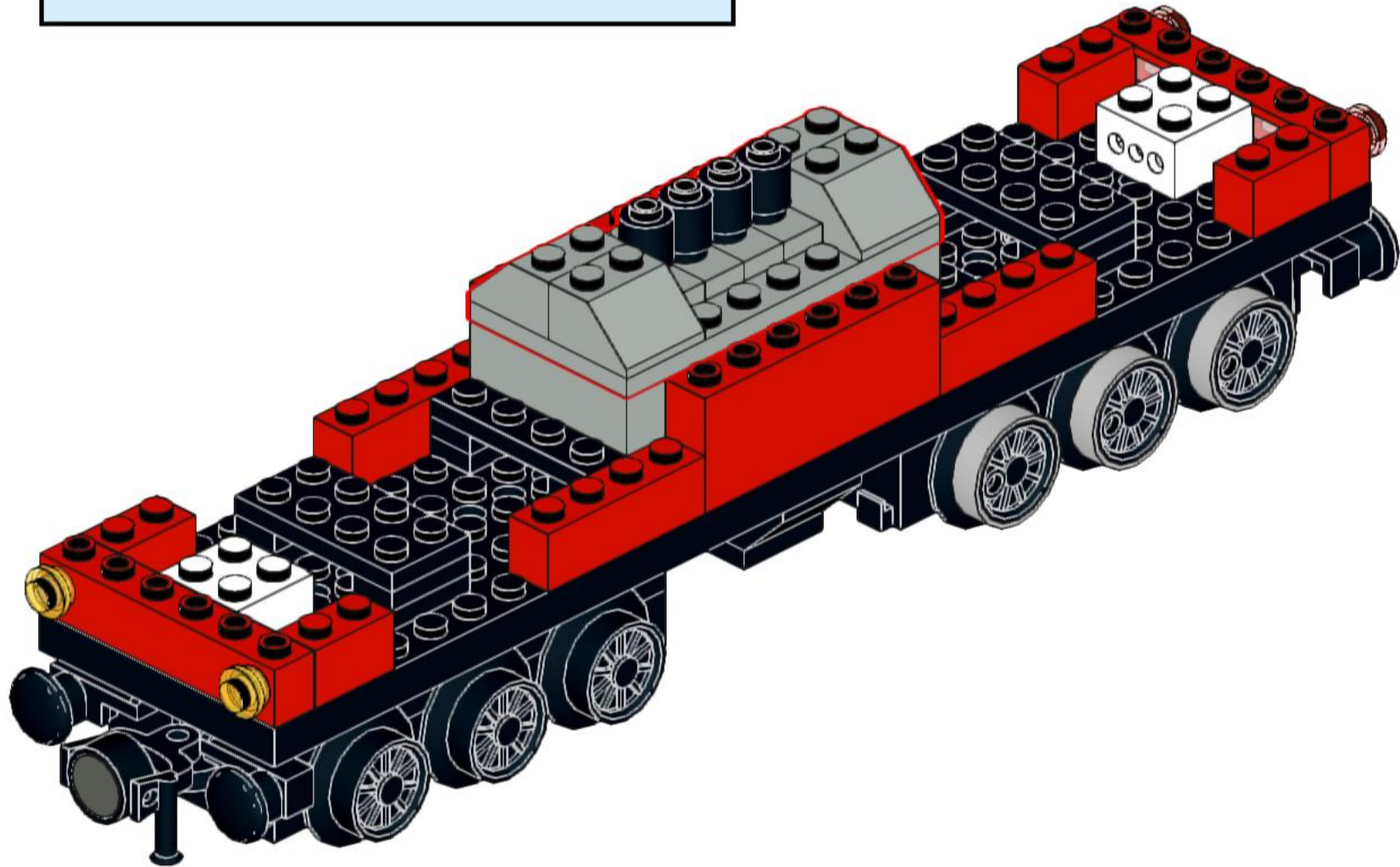
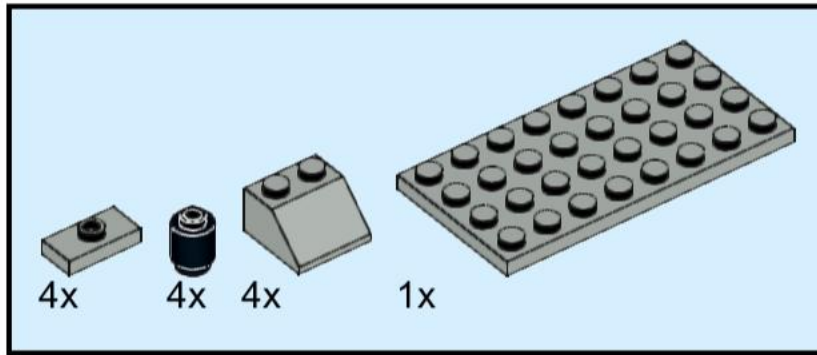
13



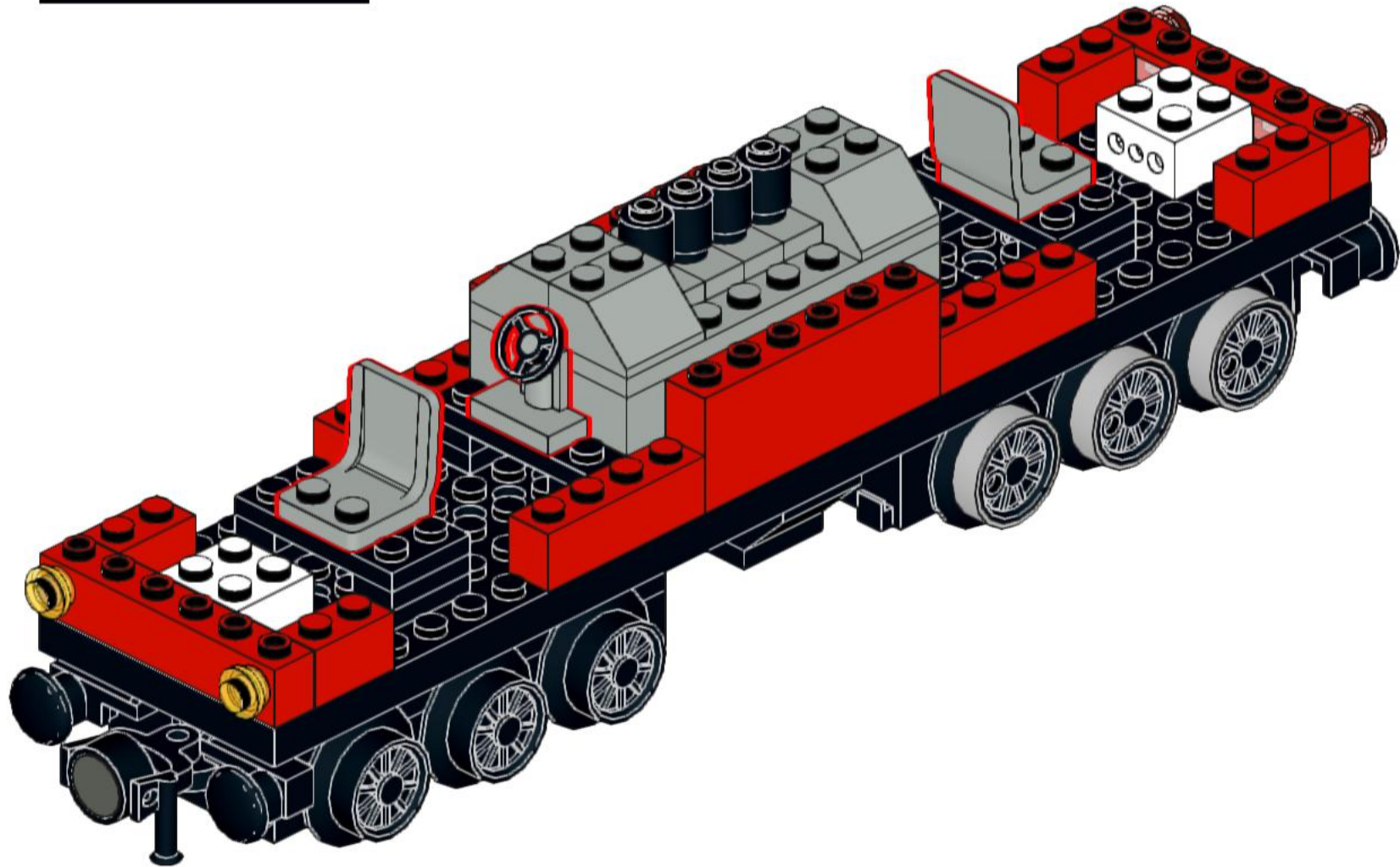
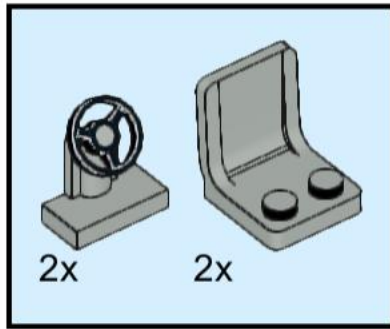
14



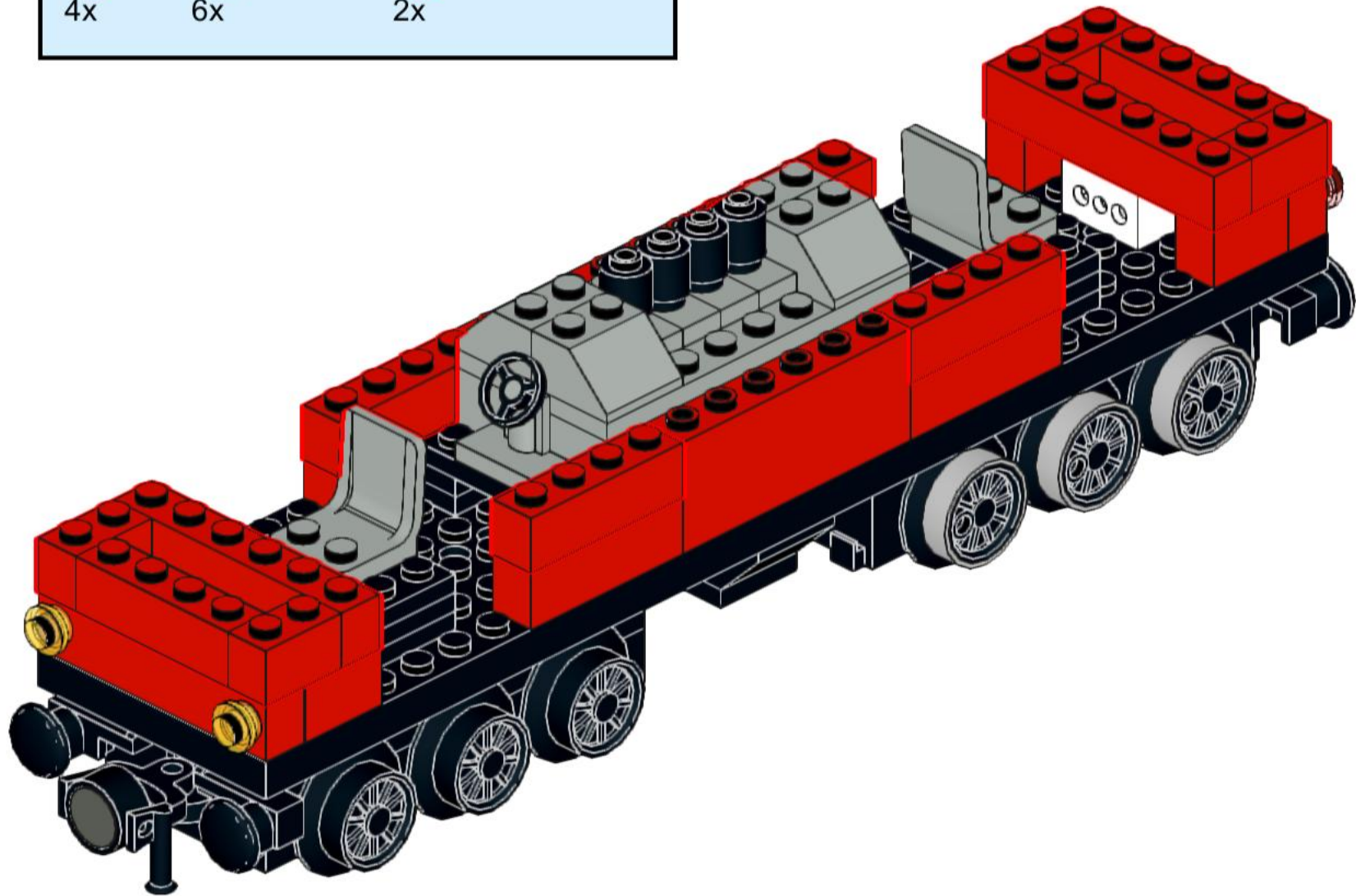
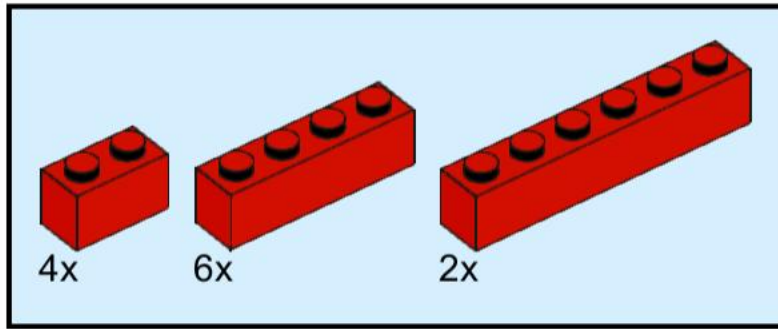
15



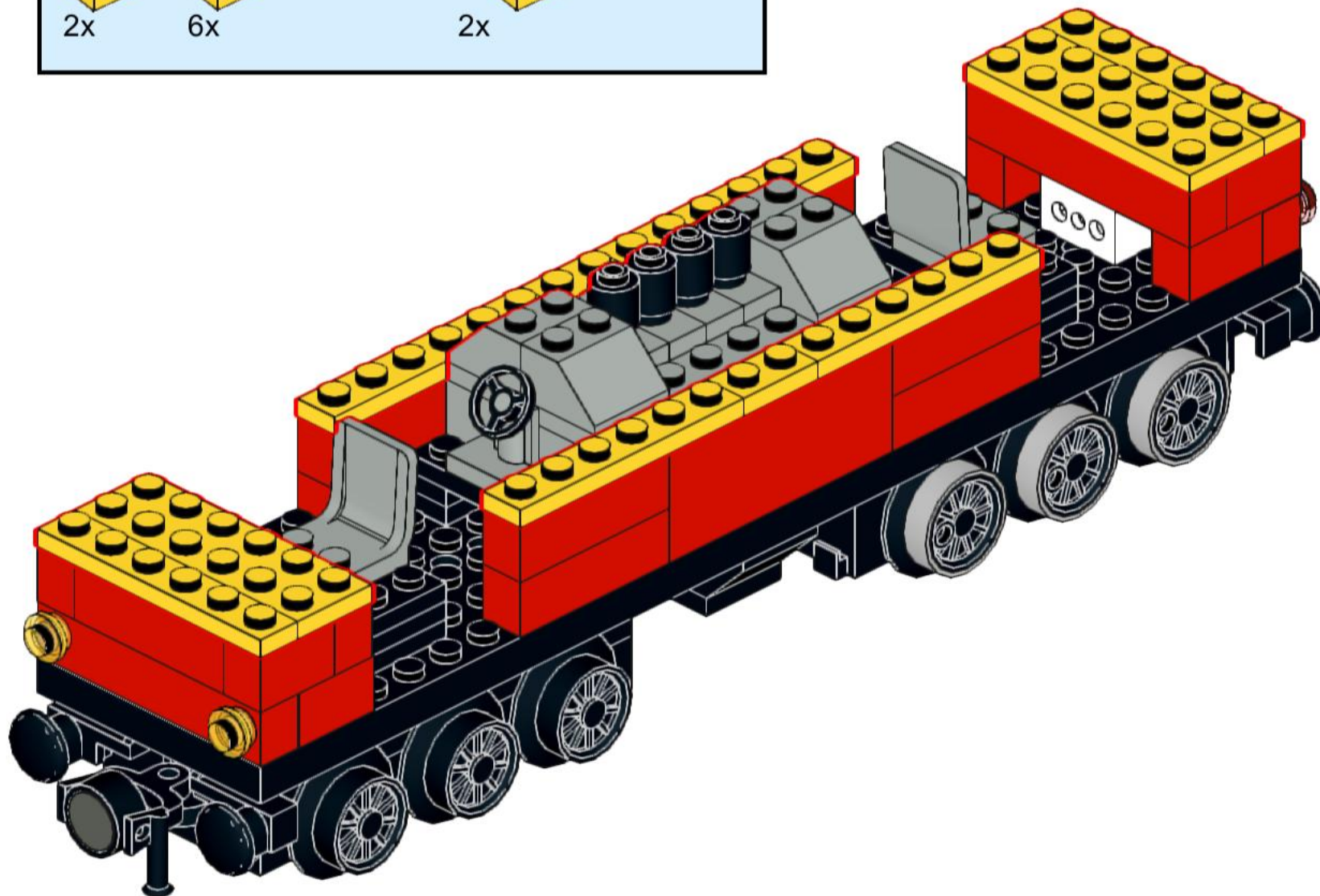
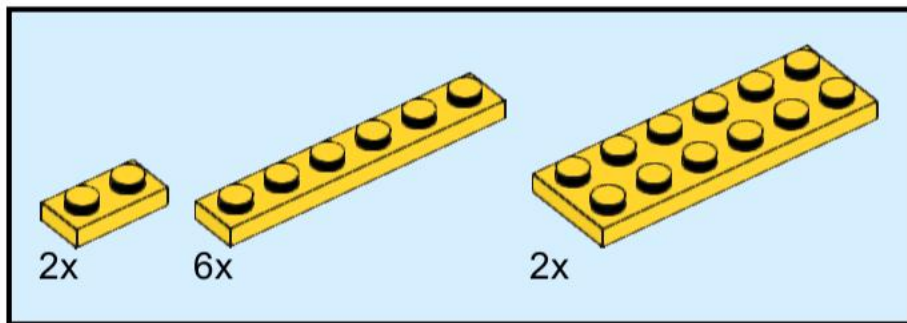
16



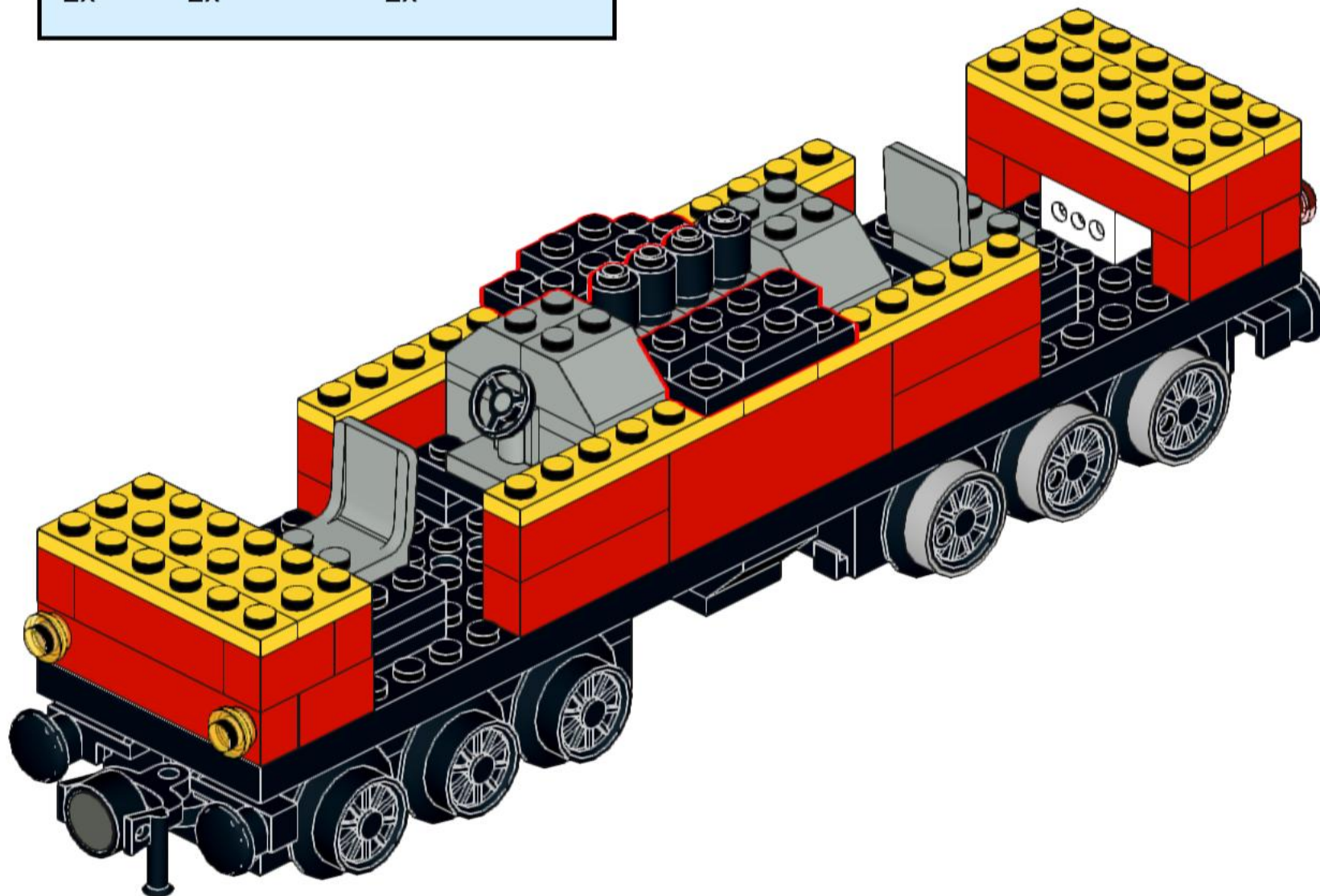
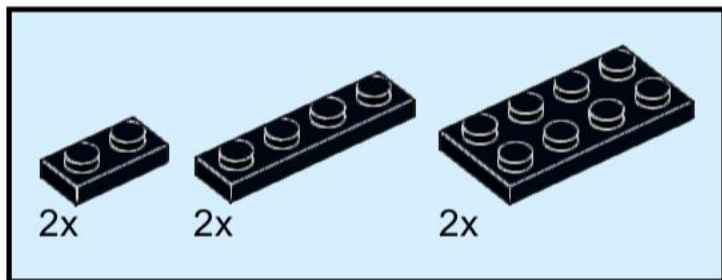
17



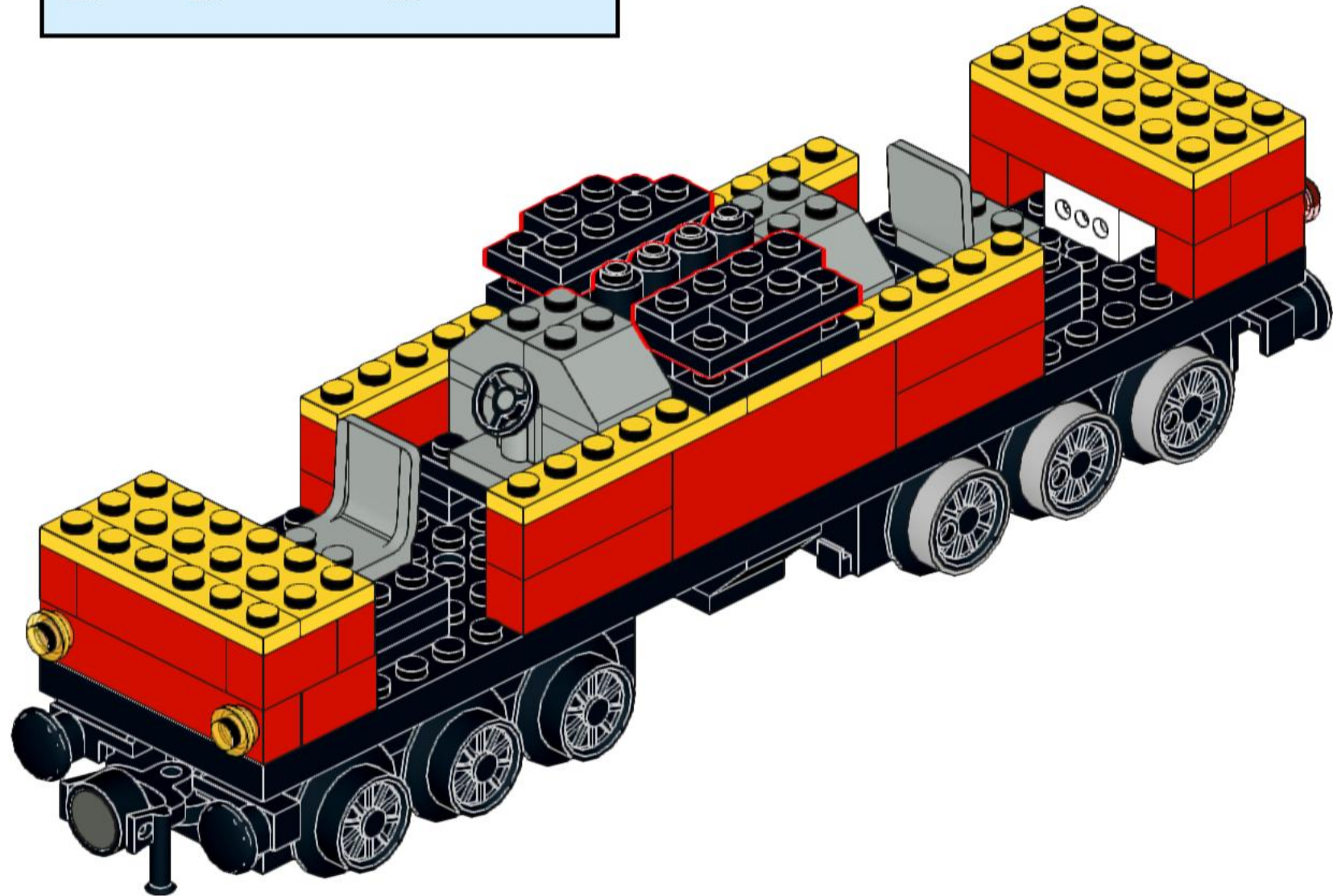
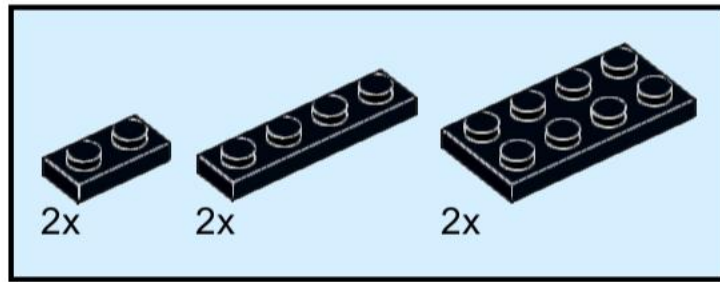
18



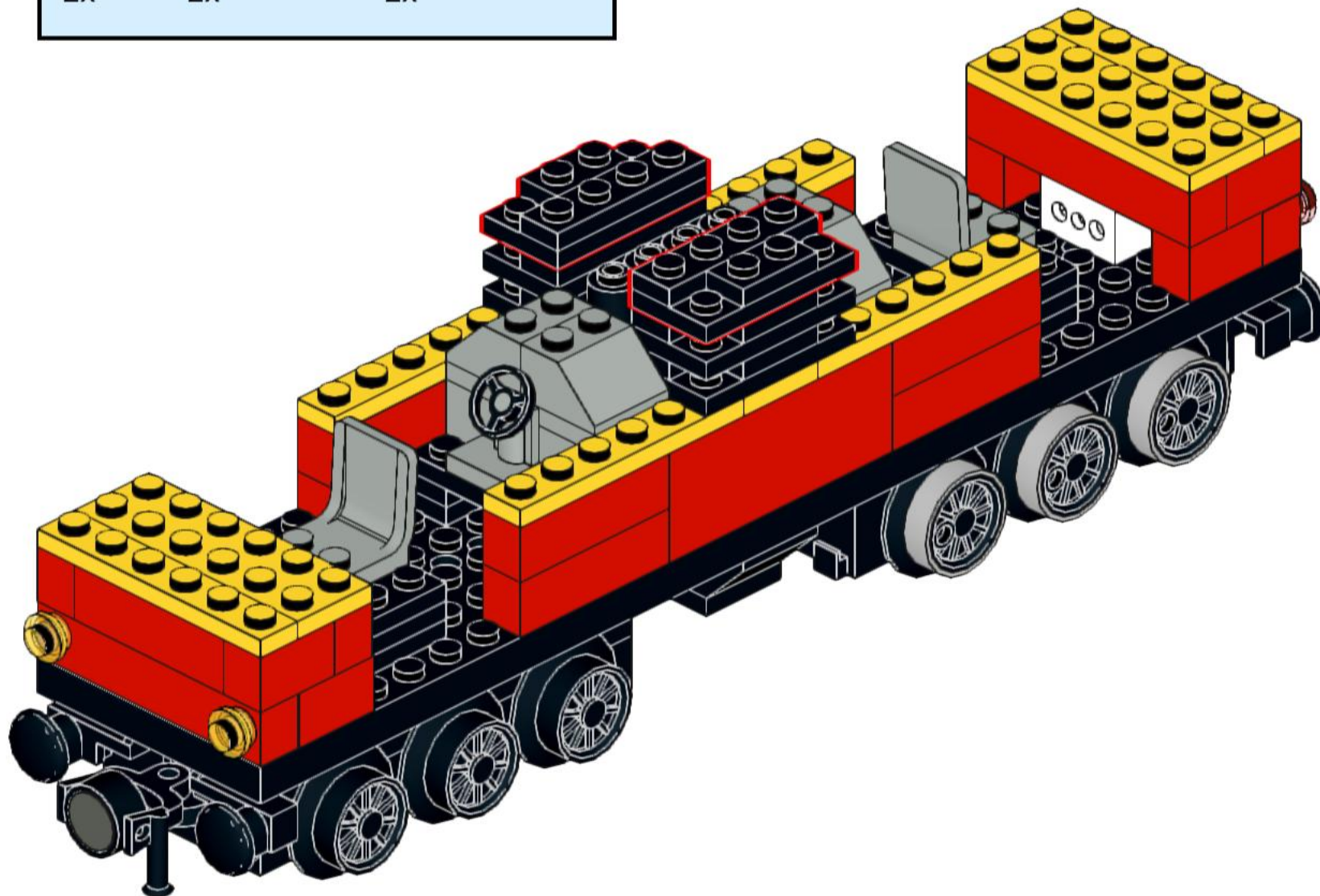
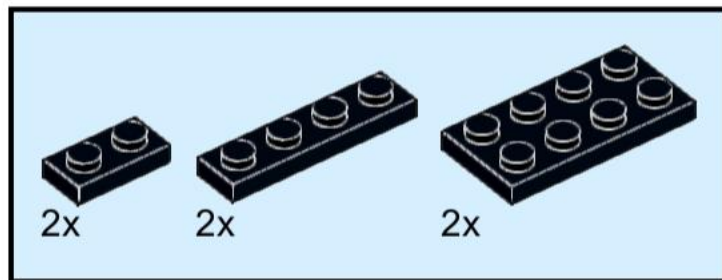
19



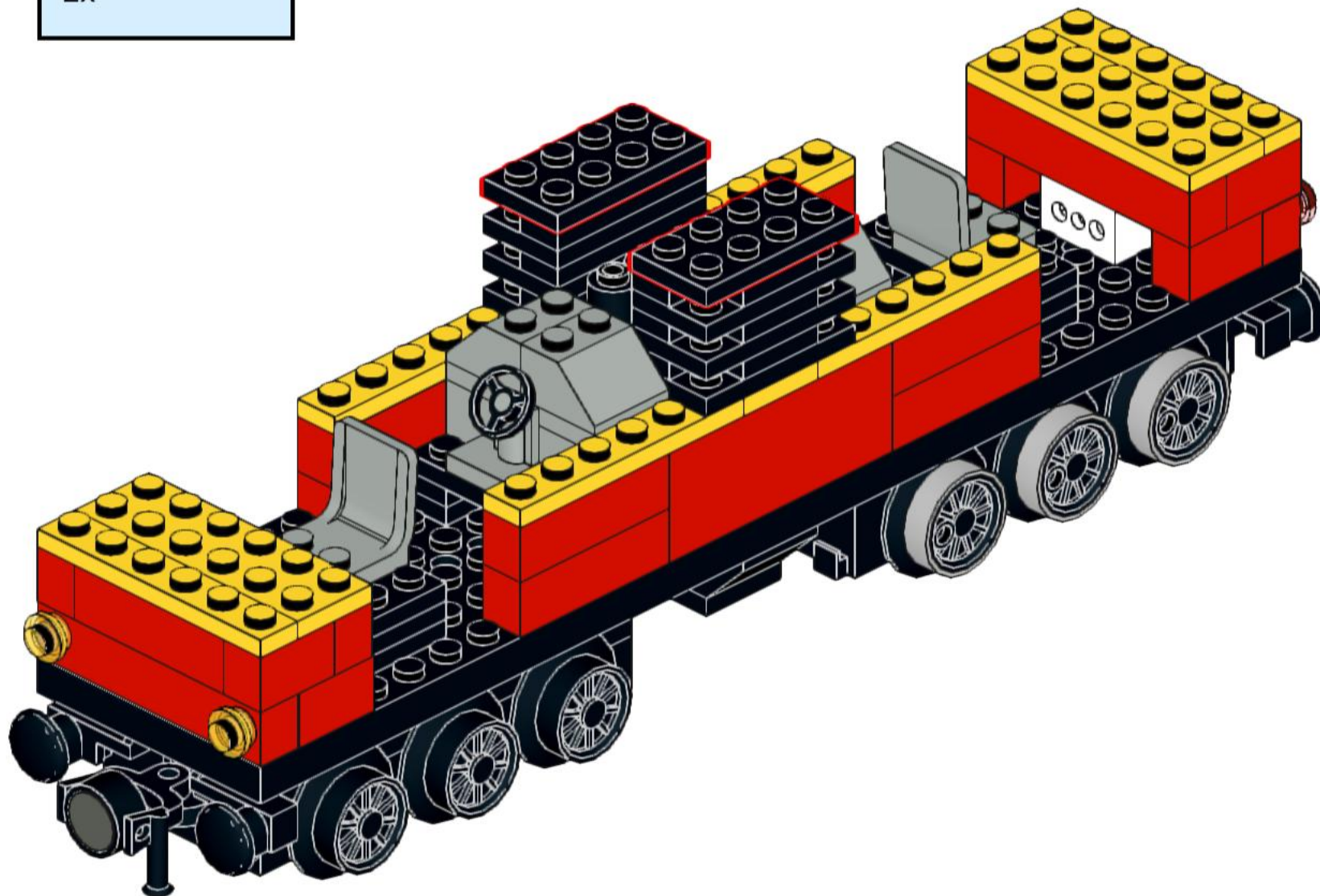
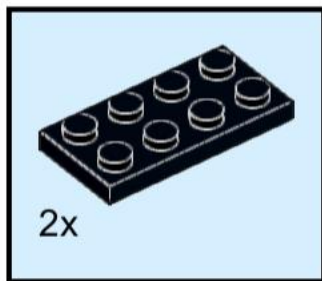
20



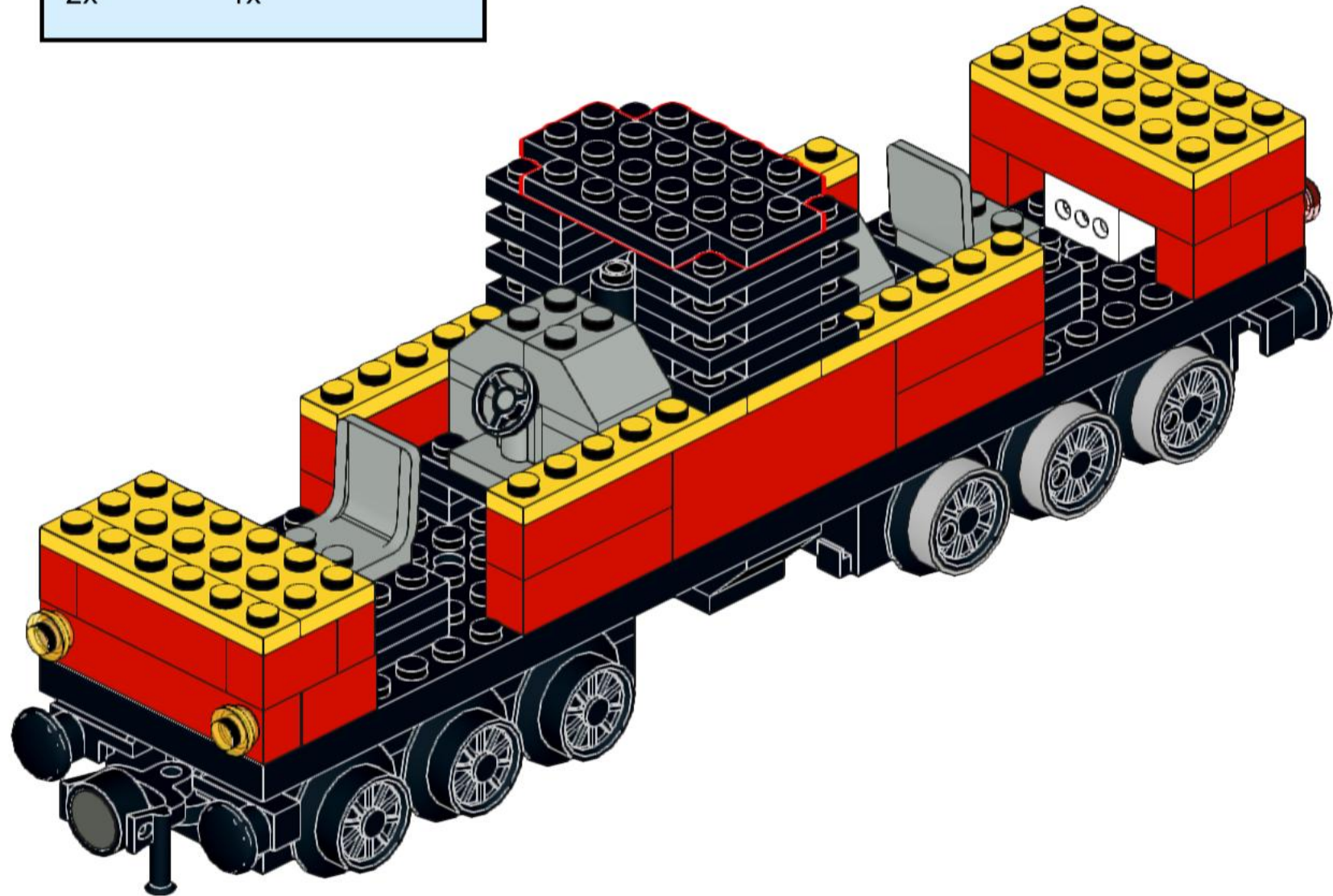
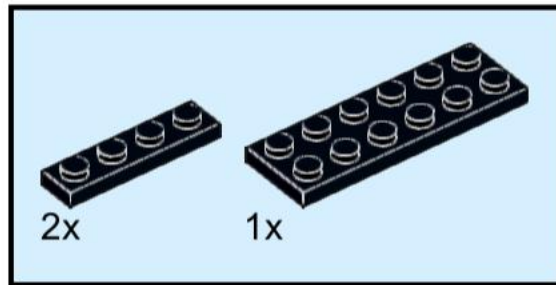
21



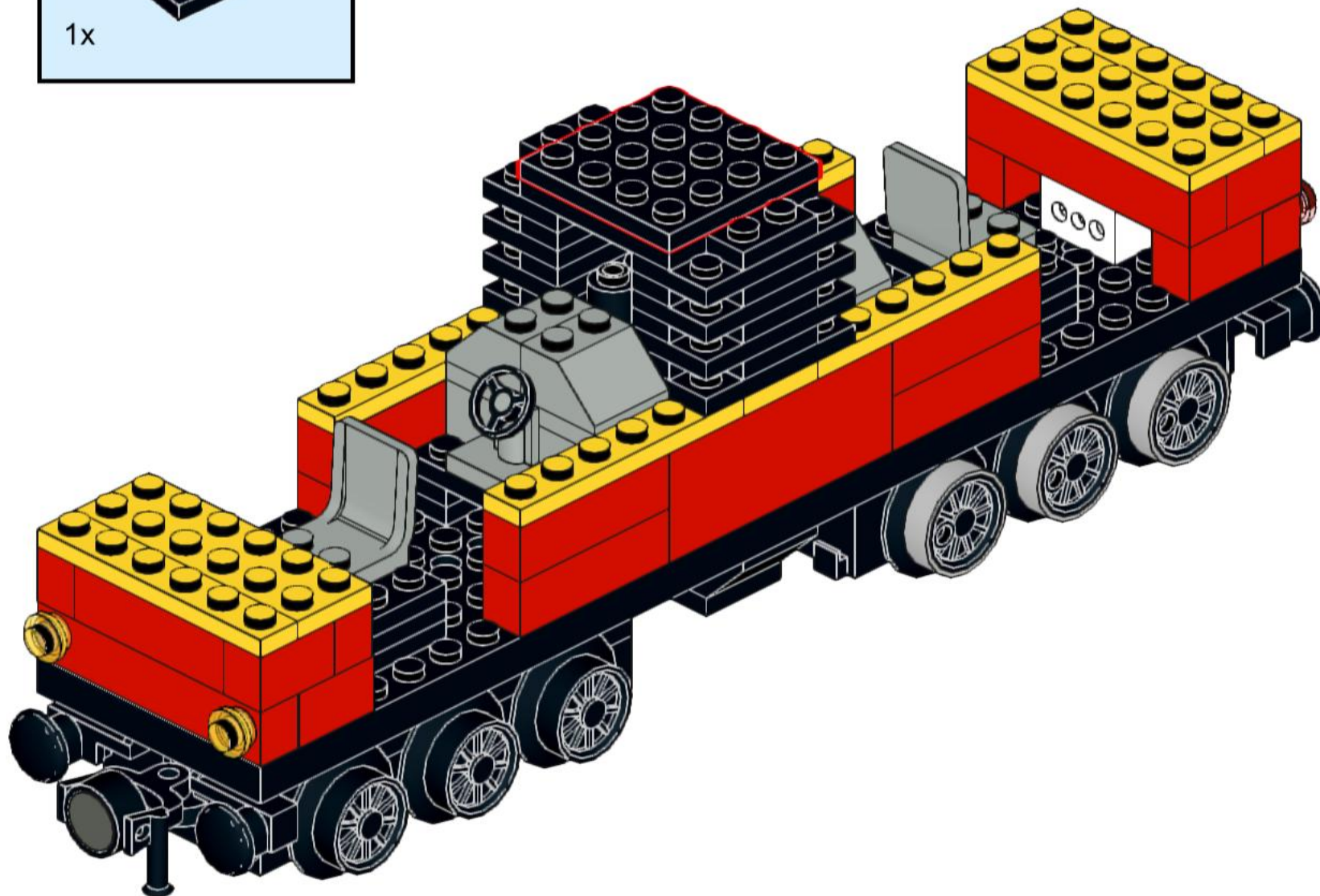
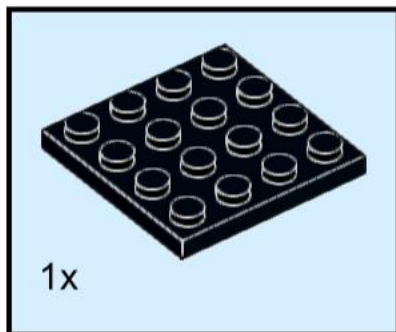
22



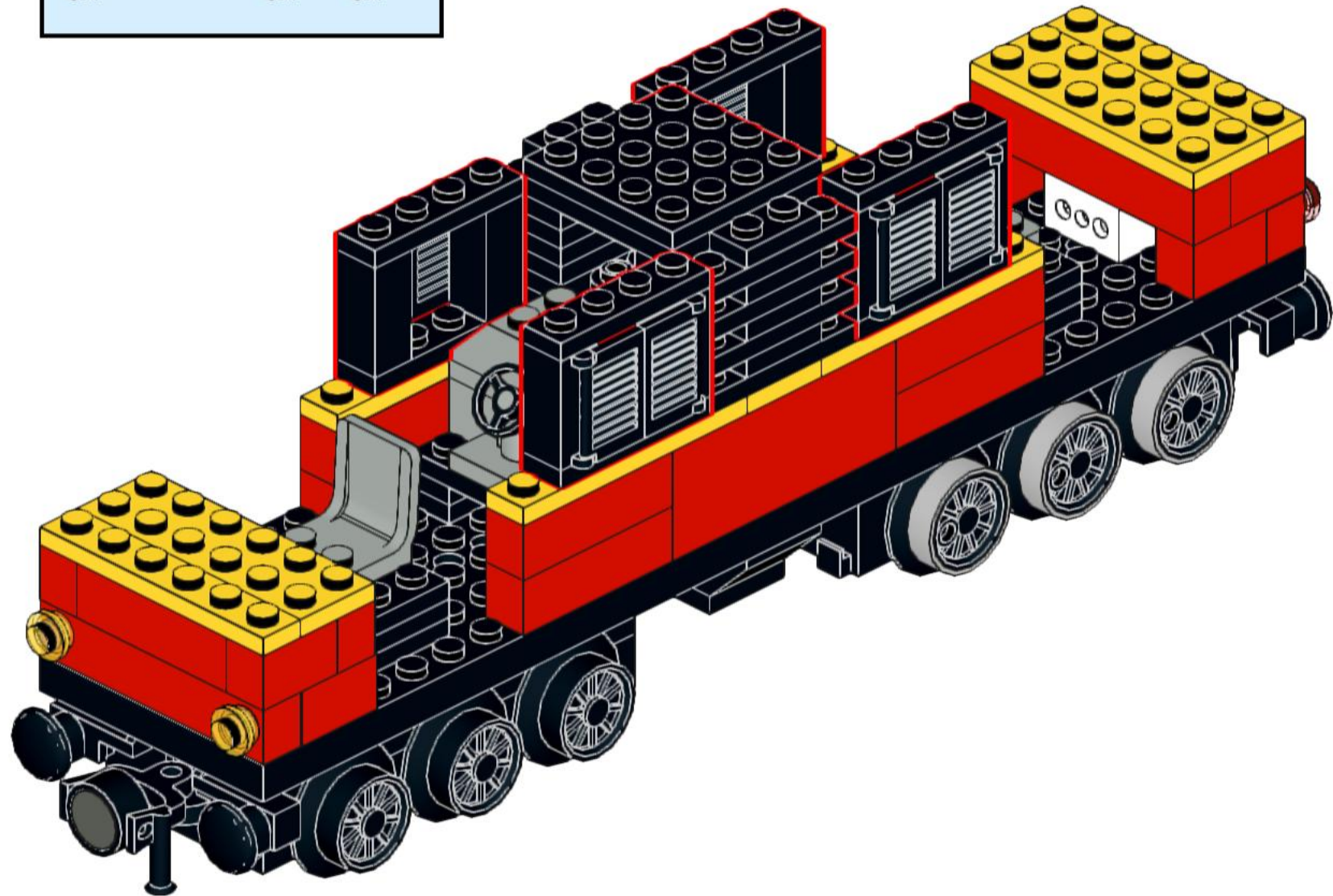
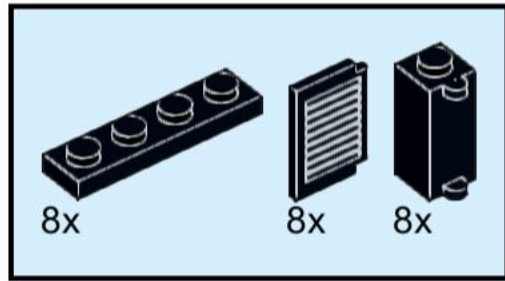
23



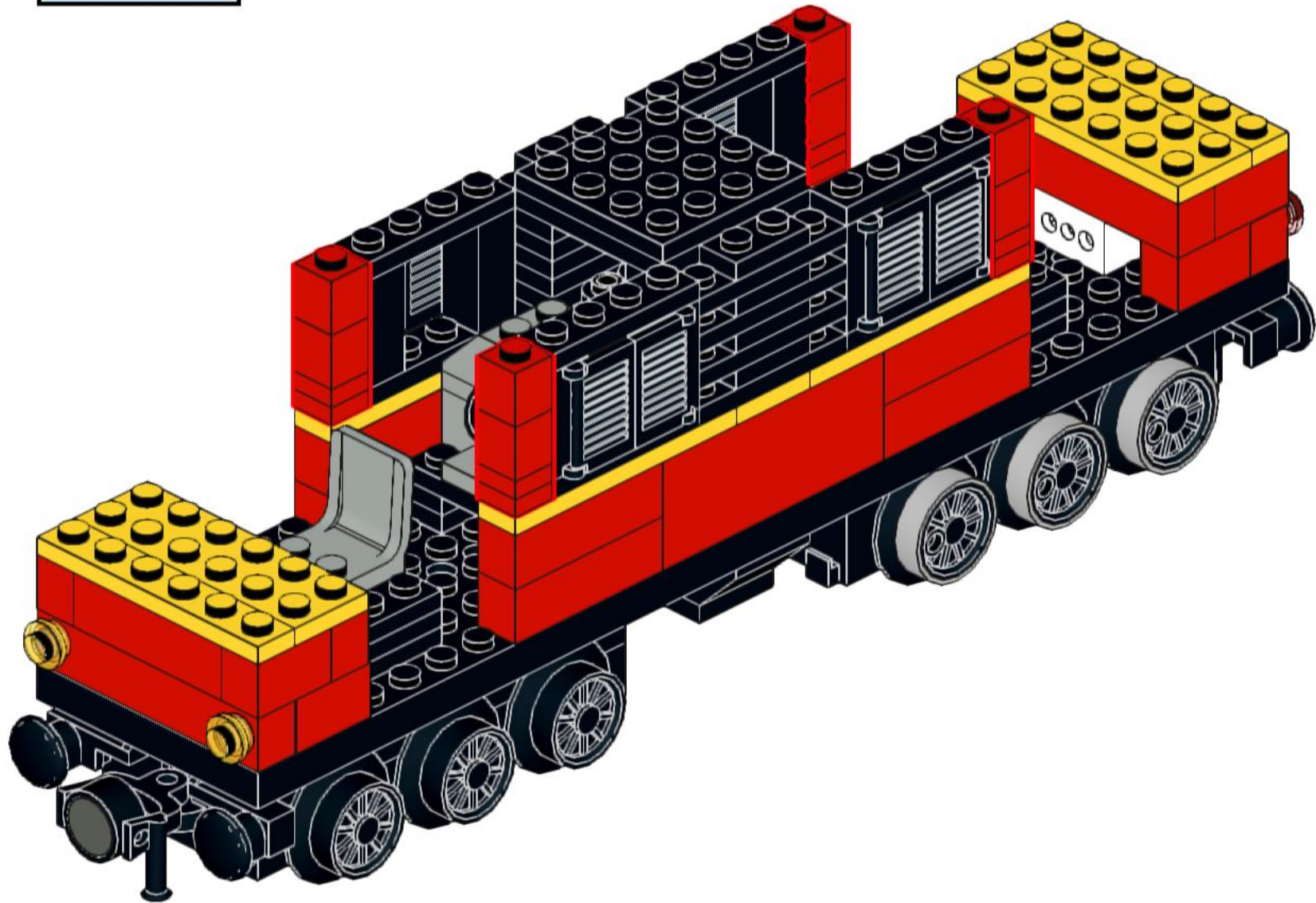
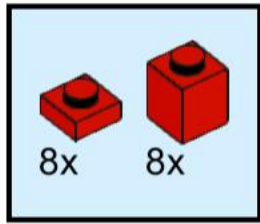
24



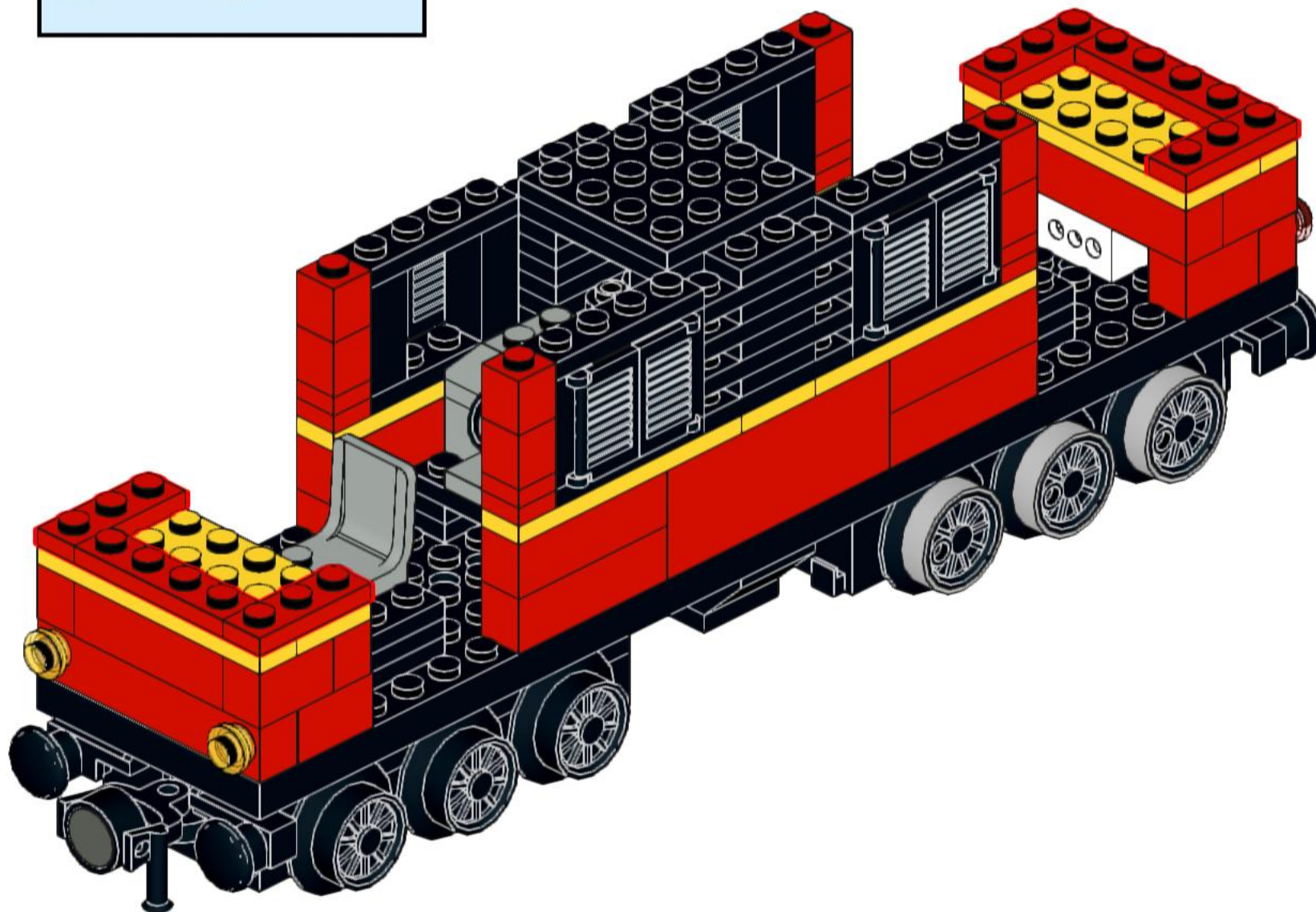
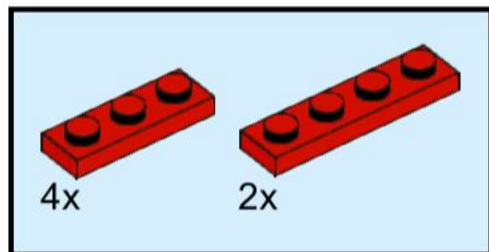
25



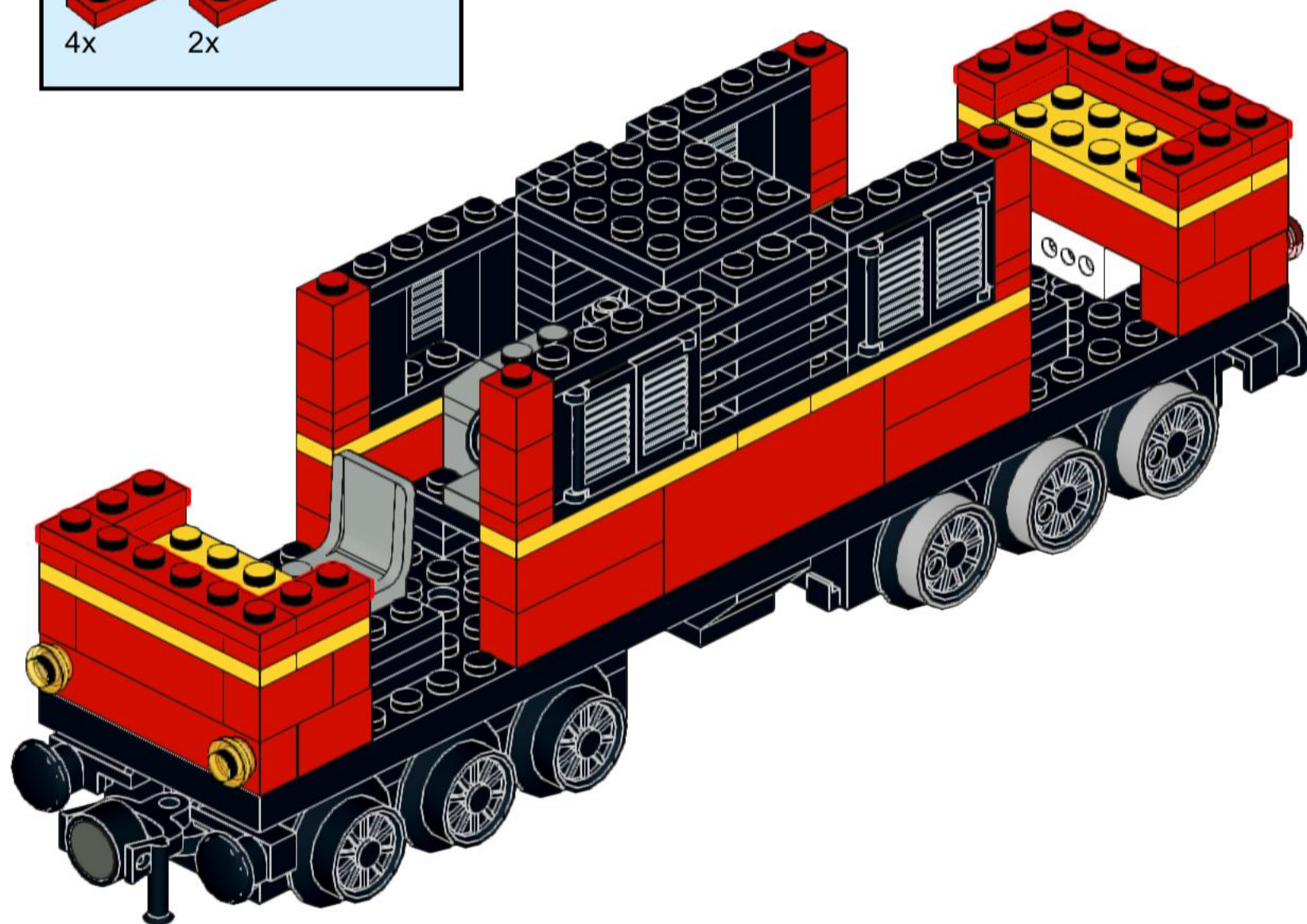
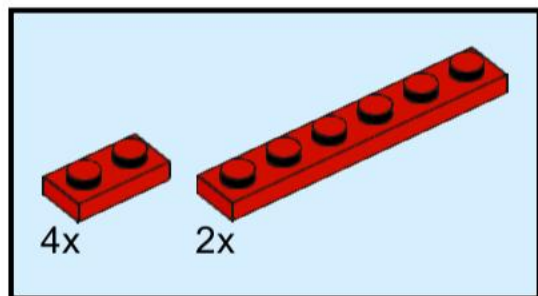
26



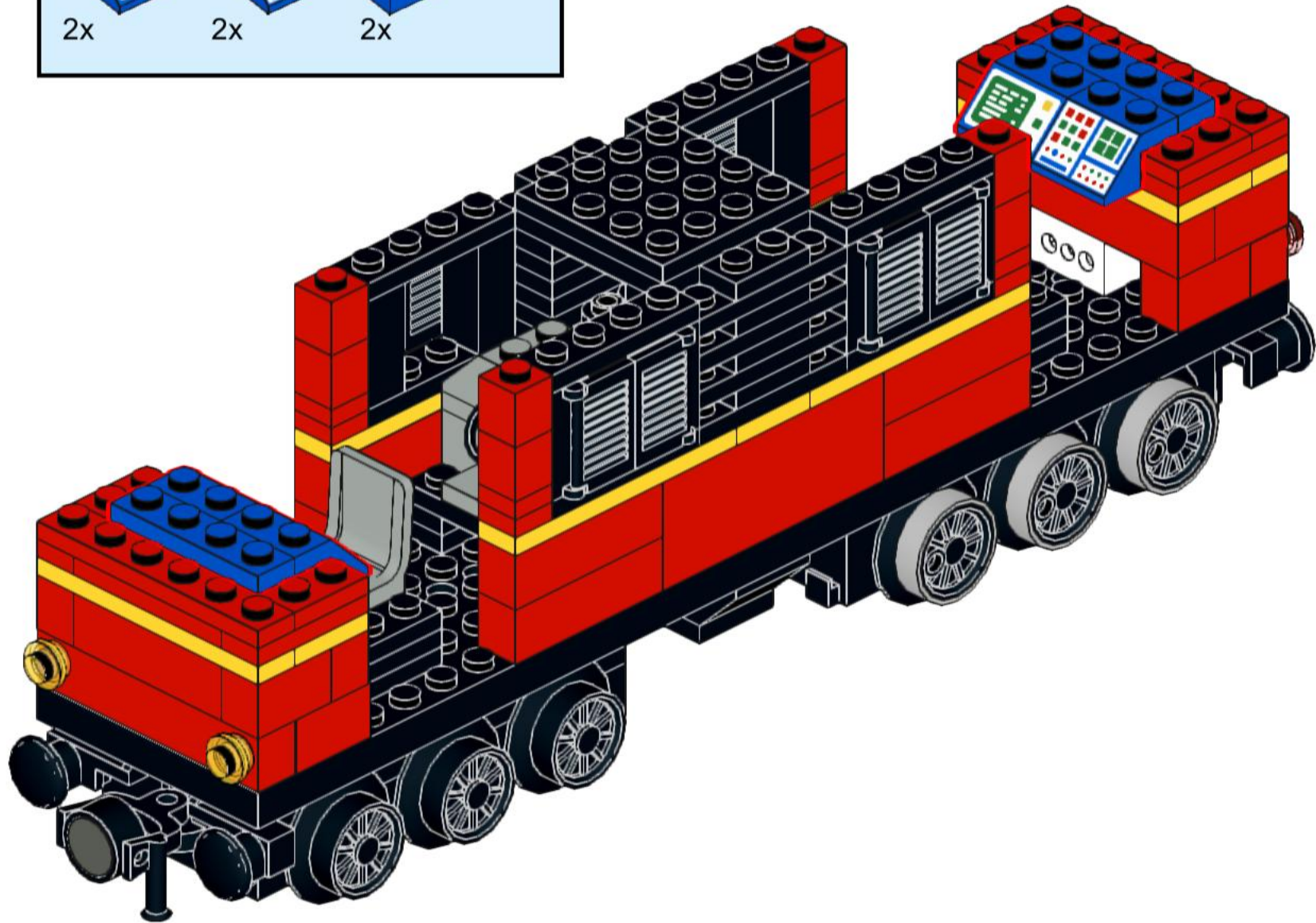
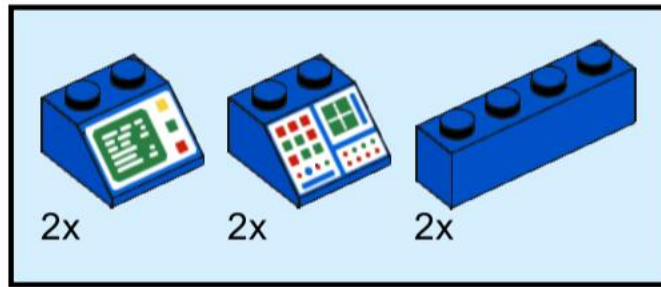
27



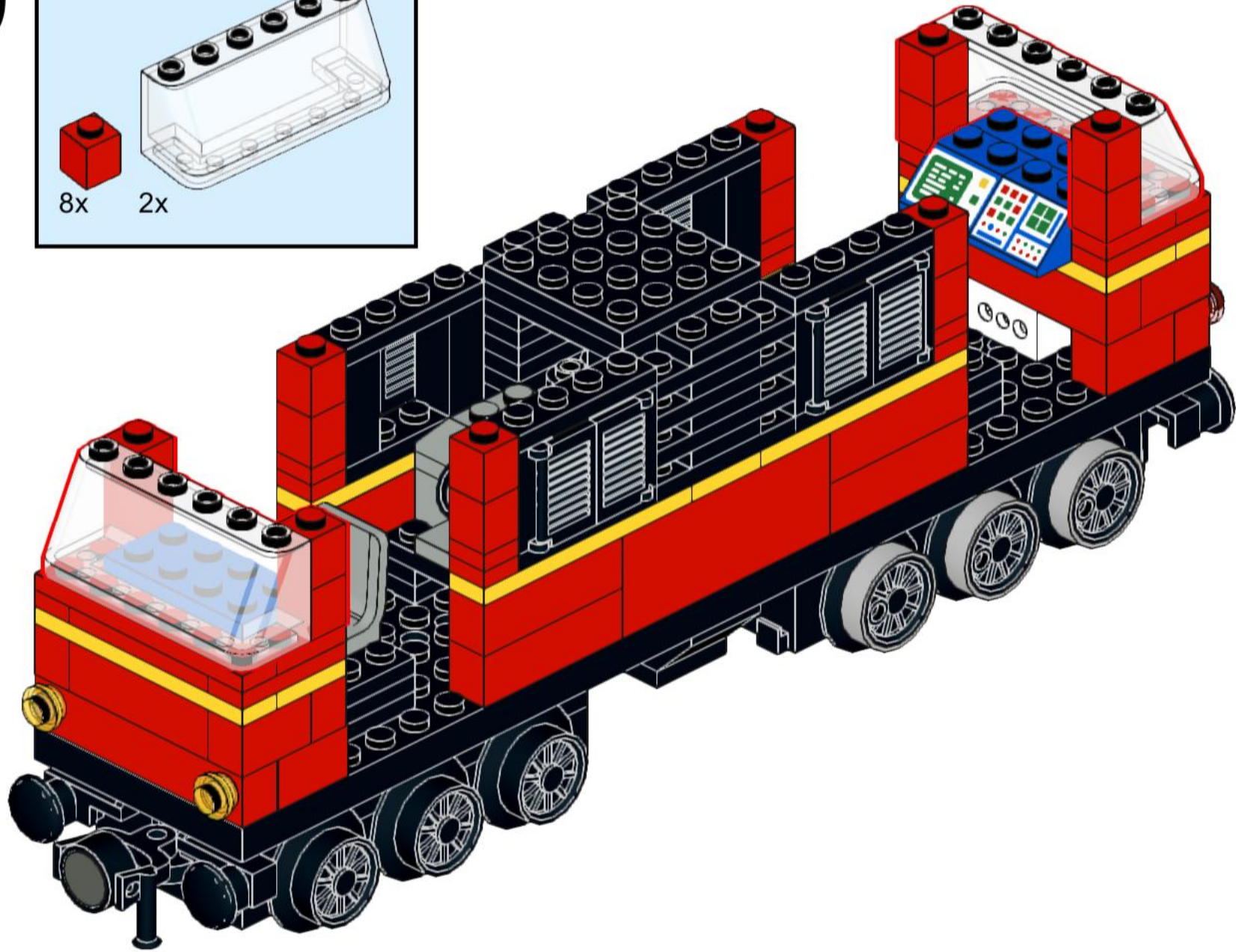
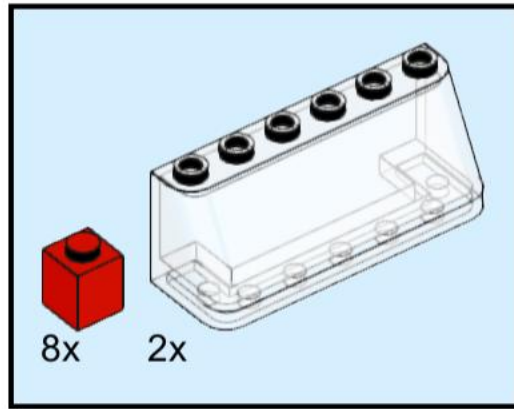
28



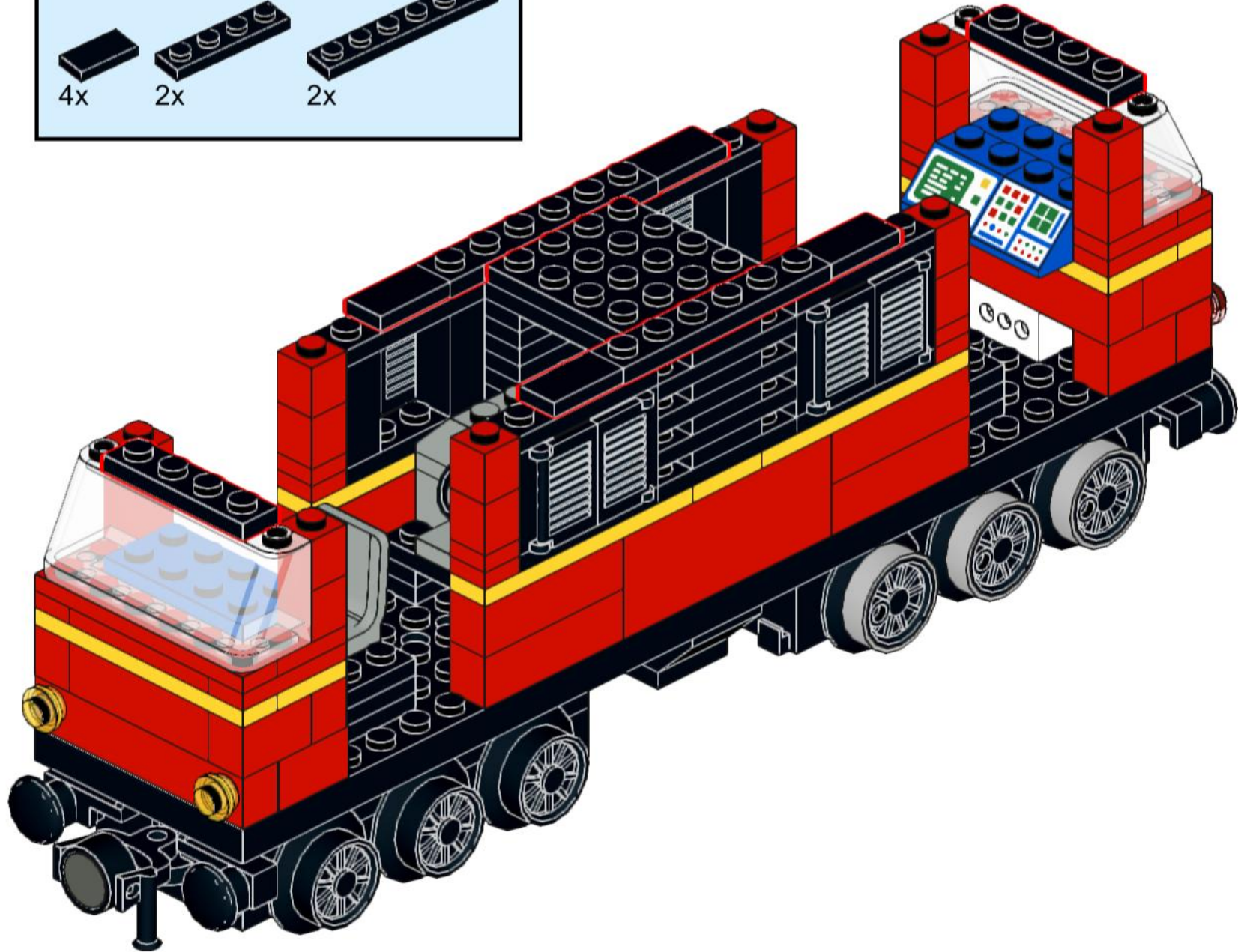
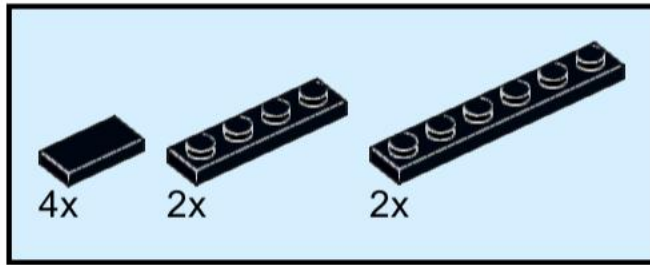
29



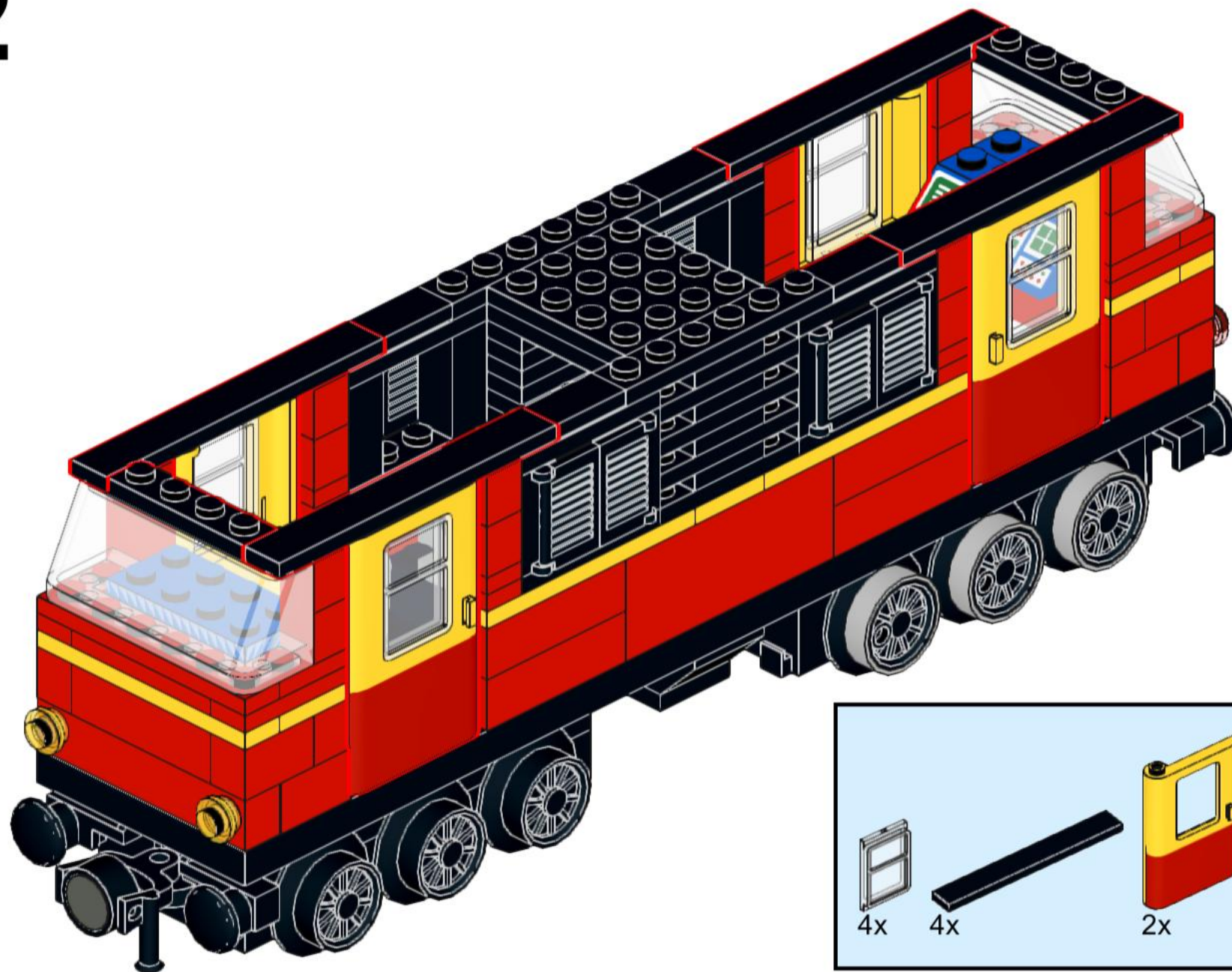
30



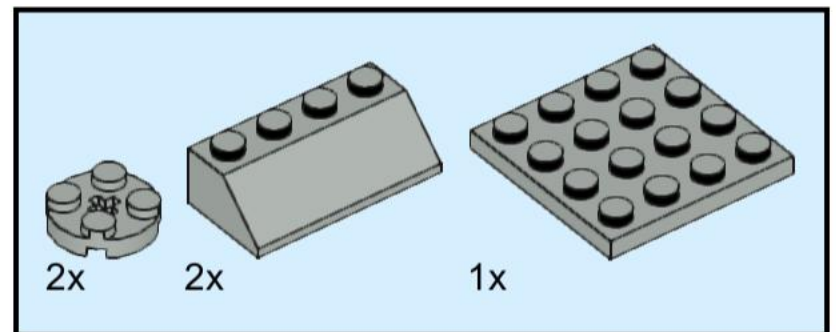
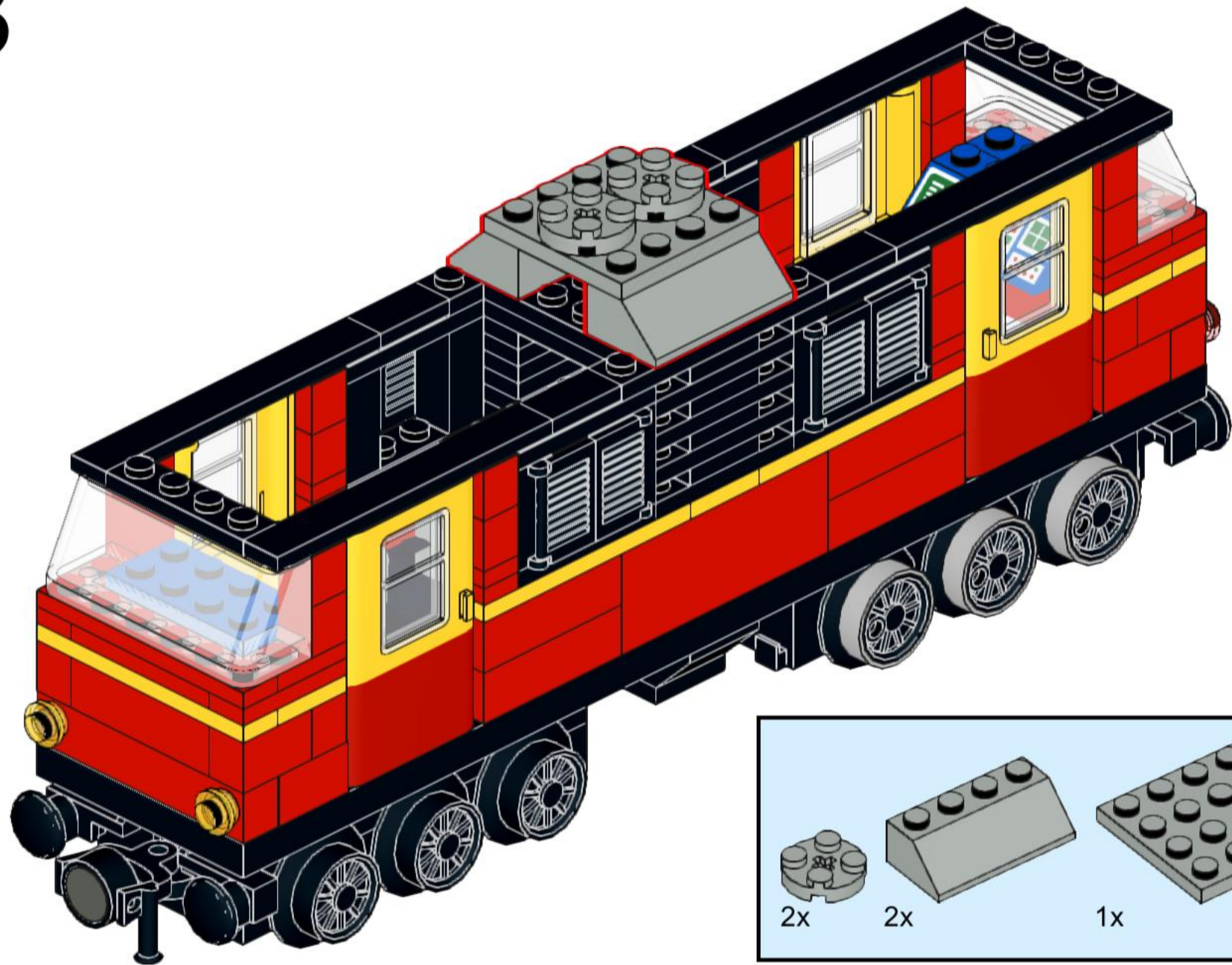
31



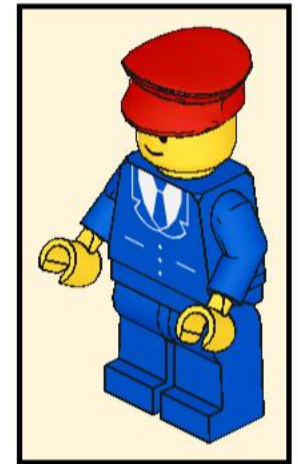
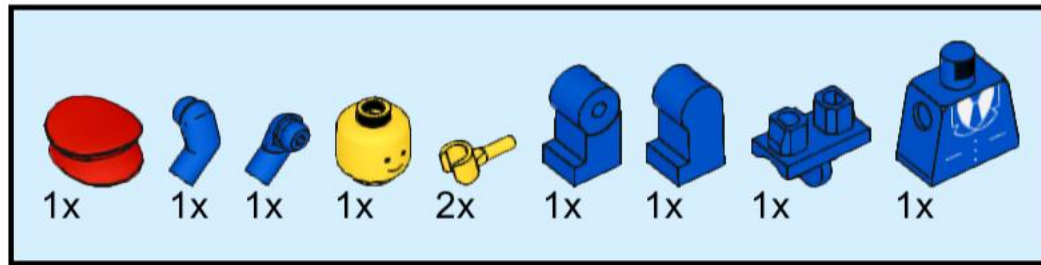
32



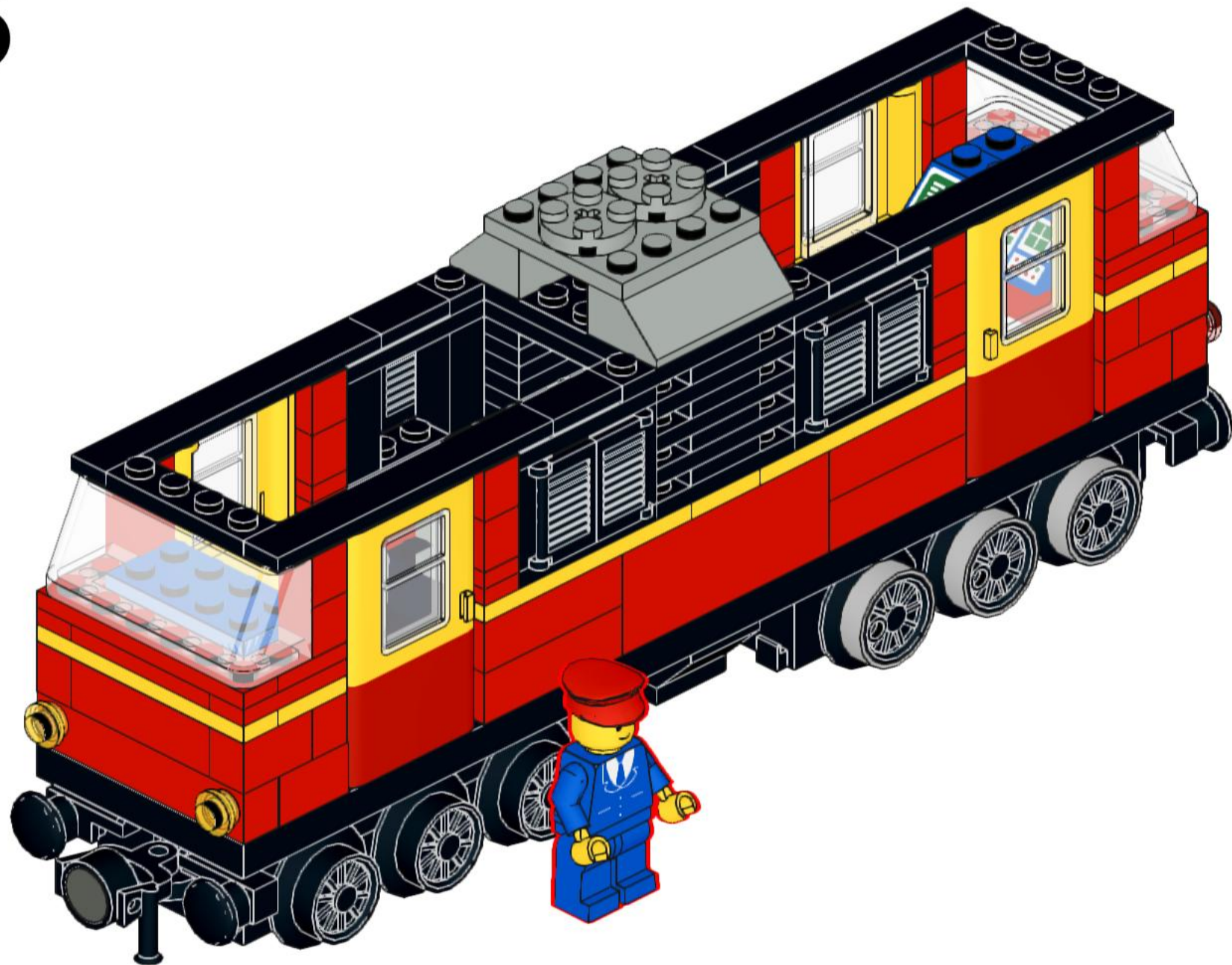
33



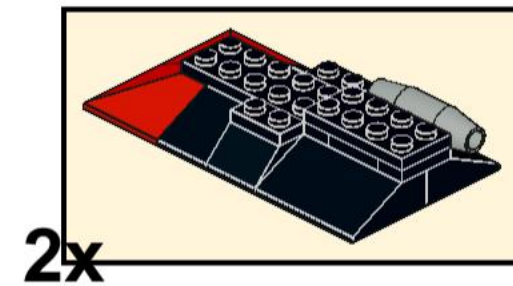
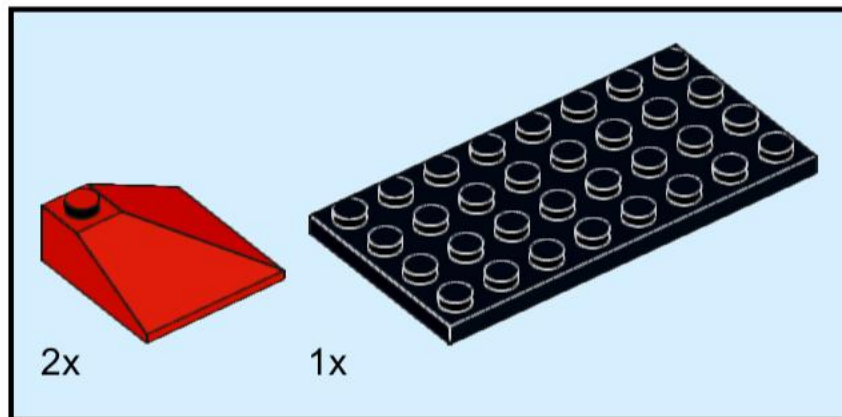
34



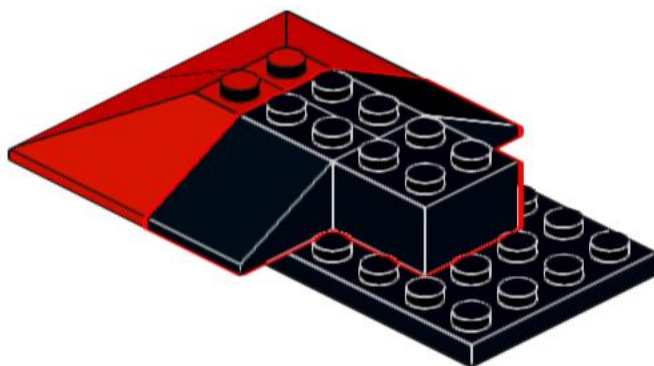
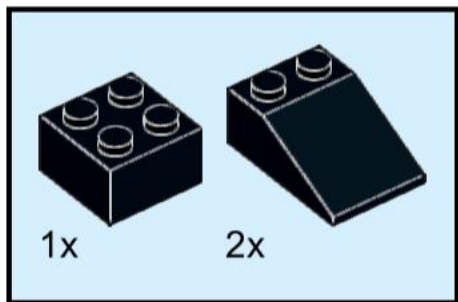
35



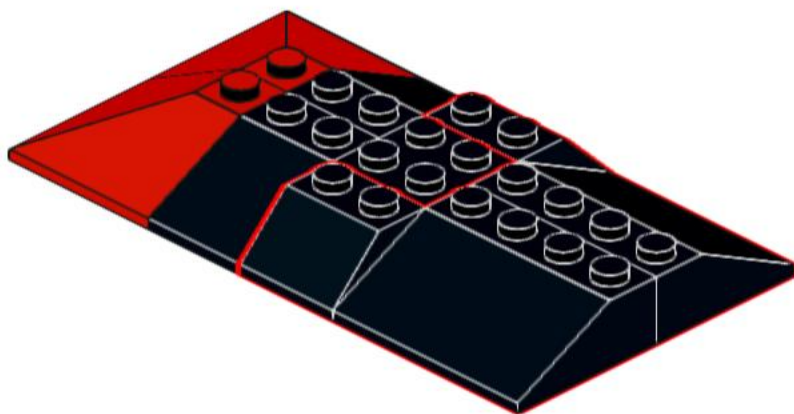
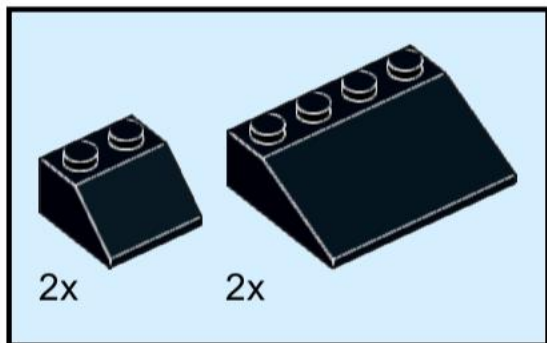
36



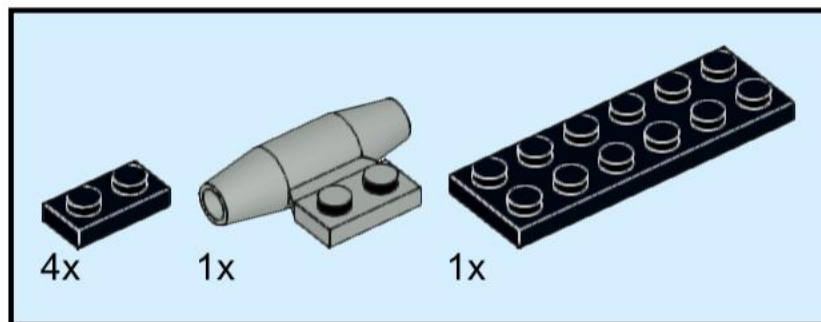
37



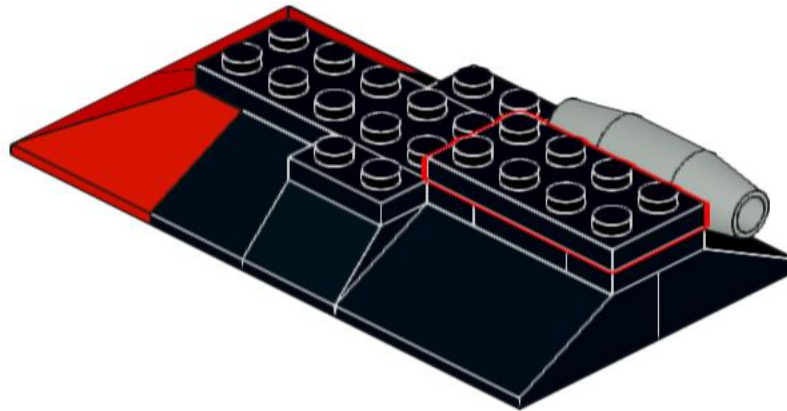
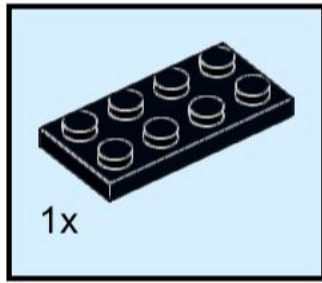
38



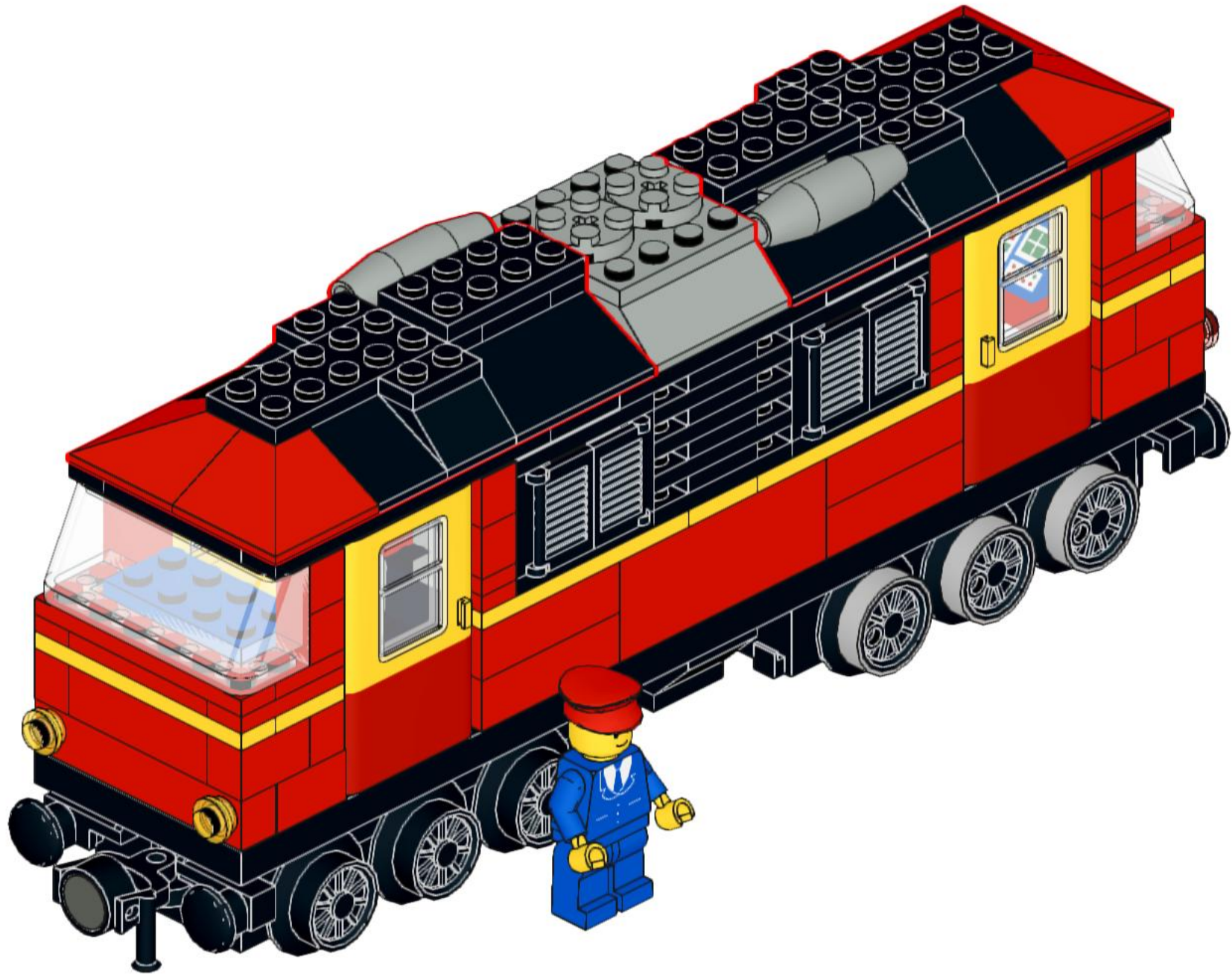
39



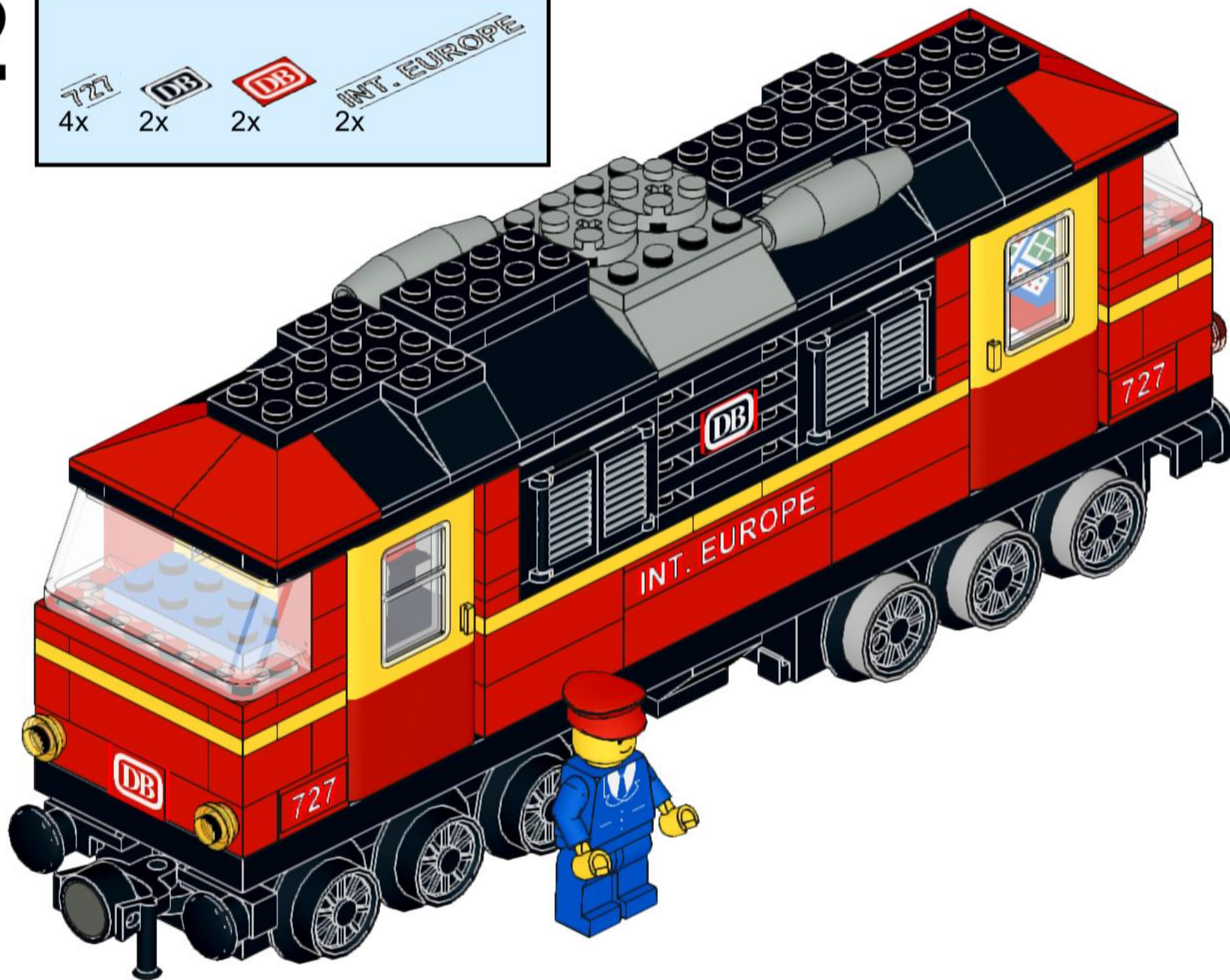
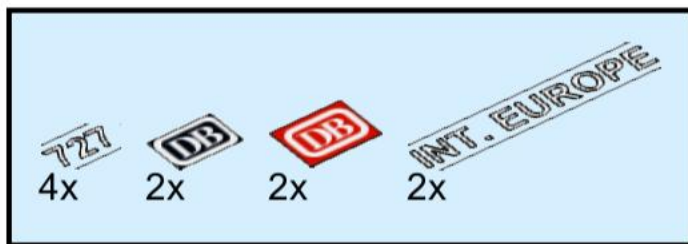
40



41



42



43

